

MODULAR 500 EAST BRITTON ROAD
SERVICES COMPANY OKLAHOMA CITY, OK 73114

REVISED

SECURROOM™
 DECORATIVE SECURITY COVER
 MODEL DSC-100

SCALE: =1'

DATE _____ DRAWN BY _____ DRAWING # _____

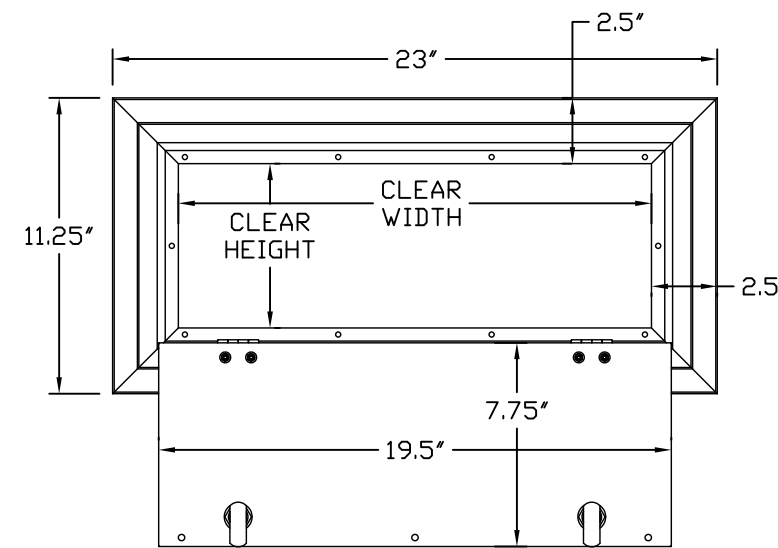
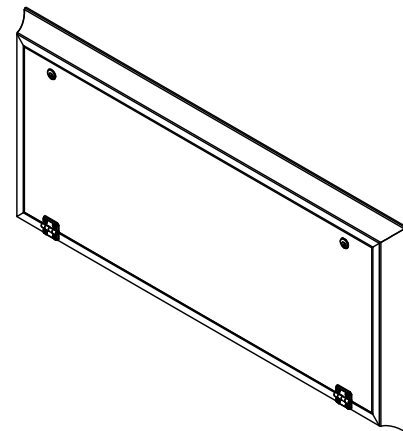
PROJECT _____

NOTES:

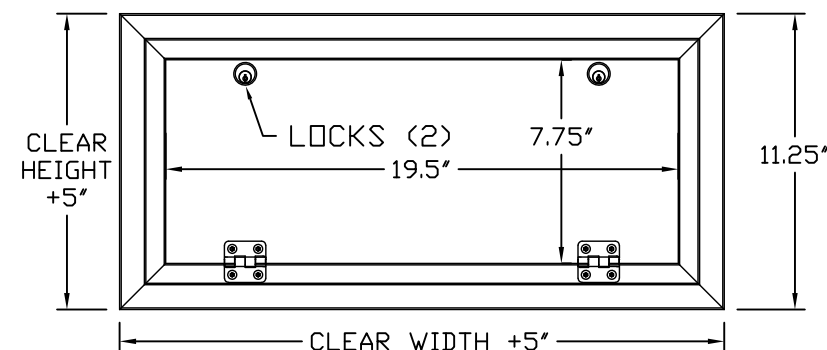
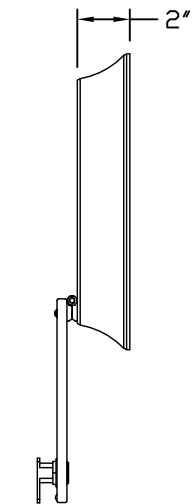
- ① PERIMETER FRAMING: HEAVY GAUGE ALUMINUM EXTRUSION, POWDER COATED SURF OR PLATINUM GREY.
- ② POLYCARBONATE DOOR IMAGE: TO BE DETERMINED. IMAGE TO BE SIZED TO FIT DIMENSIONS OF DOOR.
- ③ ALL EXPOSED FASTENERS ARE TO BE SECURITY FASTENERS (MSC STANDARD).
- ④ (2) KEYED LOCKS; PIN TUMBLER CYLINDER CAM TYPE.

-- REQ'D: --AS SHOWN
 --OPPOSITE

**SECURITY COVER WILL BE INSTALLED OVER
 EXISTING DEVICES IN BUILDING WALL.**



COVER IN OPEN POSITION



COVER IN CLOSED POSITION

