

NOTES:

- ① TWO ELECTRICAL CIRCUITS ARE PROVIDED EACH HAVING FOUR HOSPITAL GRADE RECEPTACLES. EACH CIRCUIT INDEPENDENTLY CONNECTS TO 120VAC INPUT POWER VIA 10' HOSPITAL GRADE POWER CORDS THAT CAN PLUG INTO A STANDARD 15A OR 20A RECEPTACLE.
- ② GAS PIPING: EITHER HOSE CONNECTED TO EXISTING GAS OUTLETS OR THE MEDICAL AIR AND OXYGEN CAN BE CONNECTED TO COMPRESSED GAS CYLINDERS STORED ON BOARD.
- ③ MEDICAL GAS OUTLETS AND ELECTRICAL DEVICES TO BE MSC STANDARD BRAND.
- ④ ALL EXPOSED METAL SURFACES ARE TO HAVE A "PLATINUM GREY" POWDER COATED FINISH.



MODULAR 500 EAST BRITTON ROAD
SERVICES COMPANY OKLAHOMA CITY, OK 73114

REVISED

MOBILE HEADWALL
HIGH ACUITY
MODEL 10120

PROJECT

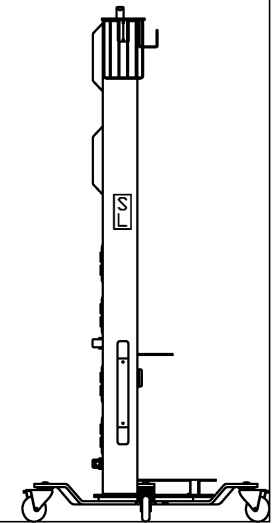
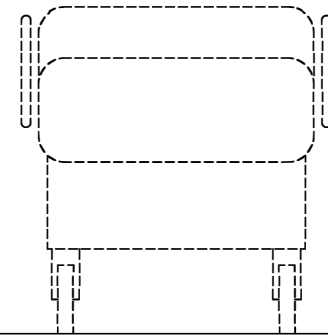
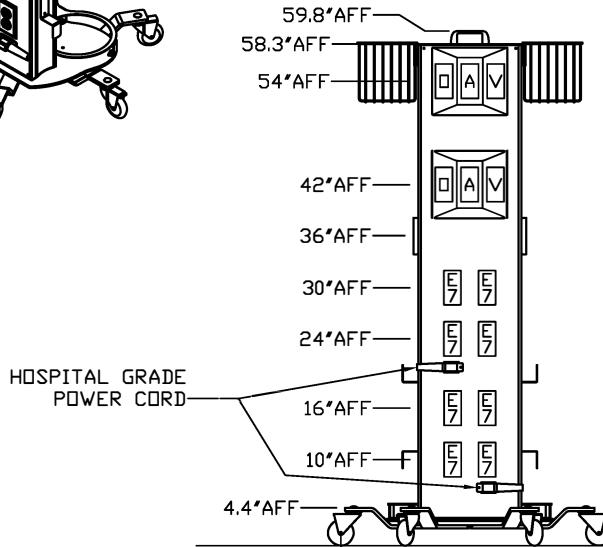
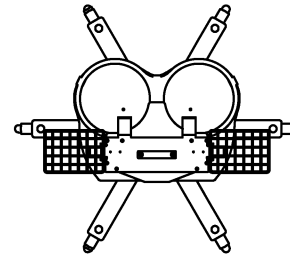
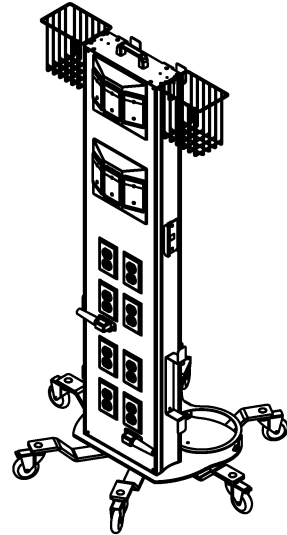
SCALE: = 1'

DATE: ---/---/--- DRAWN BY: --- DRAWING #: PB-220

QTY REQ'D:

LEGEND

REQ	SYM	DESCRIPTION
2	□	OXYGEN OUTLET
2	A	AIR OUTLET
2	V	VACUUM OUTLET
8	E7	DUPLEX RECEPTACLE, 8200 WHITE, 15A, 125V, H.G., LED, NORMAL POWER
2	SL	VACUUM BOTTLE SLIDE
2		513-1442 BASKET ONLY, 7' X 5' X 7'



FLOOR LINE