



SUPER EXAM LED | EXAMINATION LIGHT

User-friendly with exceptional performance.

The Super Exam LED combines flexible drift-free positioning, excellent light output and LED energy-saving technology to deliver superior illumination to a focused area, making it ideal for general examination.

FEATURES

Usability

- Flexible and precise covered spring-balanced arm is easy to position exactly where light is required
- The power and dimming switch is positioned near the handle for one-handed operation
- Easy access handle designed for quick positioning

Performance

- High performing energy efficient LED components are virtually maintenance free
- Recessed LED light source to reduce glare
- Fully dimmable for the perfect amount of light
- Night light, low light output mode to prevent disturbing patients

Construction

- SteriTouch® coating inhibits the growth of bacteria
- Powder-coated metal construction for durability
- Light source covered with tempered glass
- Smooth surface design for easy wipe down with hospital-grade disinfectants

Vertical Movement

- More vertical movement than arms found on large examination lights
- The arm will always tilt forward to avoid collisions with the wall

Better positioning & Easy to Clean

Drift-free K-arm provides better positioning than goosenecks and is easier to clean.



Intuitive & Ergonomic

The power and dimming switch is positioned near the handle for one-handed operation.



SteriTouch® Antimicrobial Powder Coating

Prevents the growth of bacteria, biofilm and mold continuously throughout the product's lifetime.



Dimming Feature

The power button also serves as a dimming switch.



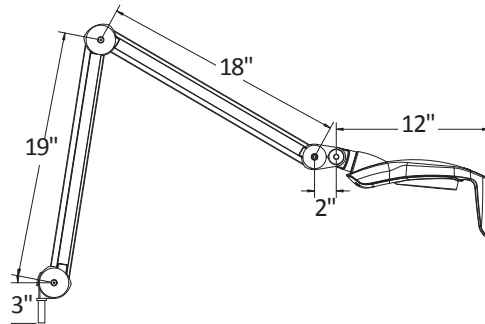
Extremely Energy Efficient

Super Exam LED features a long lasting, energy-efficient LED light source with an incredible lifespan of 50,000 hours or more.



PRODUCT DIMENSIONS

SUPER EXAM LED



SUPER EXAM LED Technical Data

Illuminance:	35,000 lux (3251 fc) at 39.37" (1 m)
Color temperature:	4000 K
CRI (Color Rendering Index):	> 95
Light sources:	Light Emitting Diode (LED)
Rated life of LEDs:	50,000-hour average LED life
Power:	20 Watts
Mounting Options:	Wall Mount or Post Mount with an MSC Vertical or Horizontal Adaptor
Applications:	General Examination
Certifications/approvals:	ES 60601-1, IEC 60601-2-41, -1-6, EN 60601-1-2, CAN/CSA C22.2 NO. 60601-1

NOTE: The optical data are nominal values based on measurements calculated according to UL/IEC performance standards at 100-240v

ORDERING INFORMATION:

Model	Description
SELEDW	Super Exam LED, Wall Mount or Post Mount*

* Requires either (1) 511-1009: Horizontal Channel Adaptor or (1) 511-1000: Vertical Track Adaptor if post-mounting to an MSC channel or track



California Proposition 65 Warning:

This product may contain chemicals, including lead, known to the State of California to cause cancer, birth defects or other reproductive harm. For More Information: www.P65Warnings.ca.gov



500 E. Britton Rd. • Oklahoma City, OK 73114
 Tel: 800.687.0938 • Fax: 405.528.0368
www.modularservices.com
info@modularservices.com