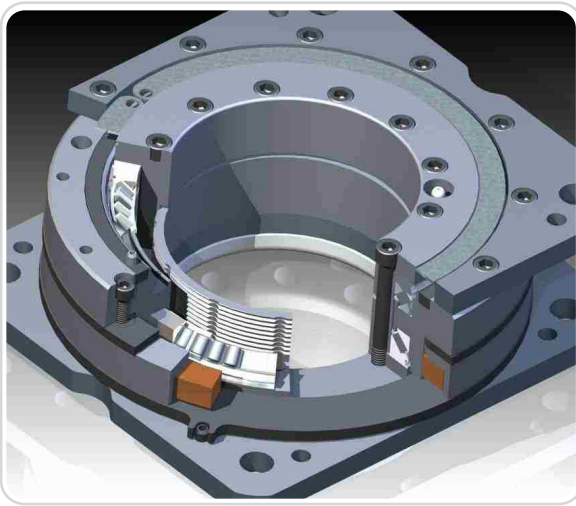


STRATUS®

FEATURES

Benefits

- No service contract required
- No need for compressed air to move boom
- Brakes only require normal power



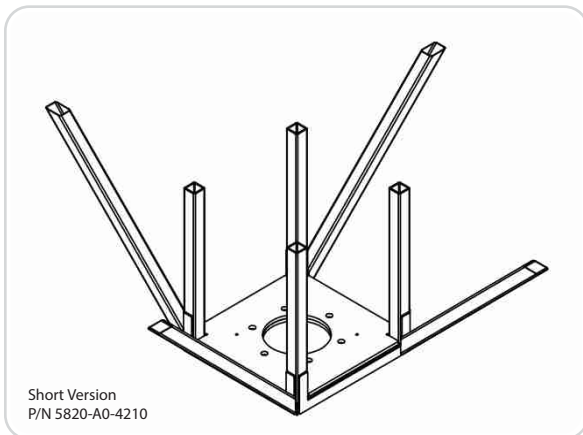
Electromagnetic Brakes

The Stratus® utilizes three Electromagnetic Brakes for precise and reliable positioning. By using the Electromagnetic Brake Handle, each of the three joints in the Stratus® can be independently moved in any combination at any time to achieve the desired position of the service modules within the clinical setting.

The Electromagnetic Brakes also have only one moving part—the rotor. The rotor is held in place by a permanent magnetic circuit that only requires normal power to release, which reduces energy requirements and ensures a longer product lifecycle.

Benefits

- Save on Installation Costs
- Ability to accommodate varying heights with 3 versions: Mini, Standard or Extended



Superstructure

Designed specifically for the Stratus®, the Superstructure provides a secure and stable platform to anchor the boom system.

The Superstructure assembly consists of a central frame and four stabilizer struts, all of which are provided at maximum length and may be cut to fit your exact needs. The struts are provided loose with the Superstructure components, and must be assembled on-site, with the ideal configuration being one strut attached to each corner of the mounting plate at 45° each from the horizontal and 90° from the edge of the mounting plate, as viewed from the bottom.