

NOTES:

- ① JUNCTION BOXES: J1--NORMAL POWER, J2--EMERGENCY POWER, J3--NURSE CALL/TELEPHONE/MULTI PIN.
- ② MEDICAL GAS PIPING: OXYGEN & AIR--1/2" I.D., VACUUM 3/4" I.D.
- ③ INTERIOR STUD FRAMING IS TO FIT A 3-5/8" METAL STUD WALL WITH ONE LAYER OF 5/8" GYPSUM BOARD FINISH (BY OTHERS).
- ④ PANEL LAMINATE COLOR: TO BE DETERMINED. POWDER COATED & KYDEX SURFACES ARE TO MATCH 'SURF' OR 'PLATINUM GREY'.
- ⑤ EMERGENCY POWER, NORMAL POWER, AND LOW VOLTAGE FIELD CONNECTIONS ARE REQUIRED BETWEEN SECTIONS A&B AND B&C.

MODULAR SERVICES COMPANY 500 EAST BRITTON ROAD
OKLAHOMA CITY, OK. 73114

PROJECT

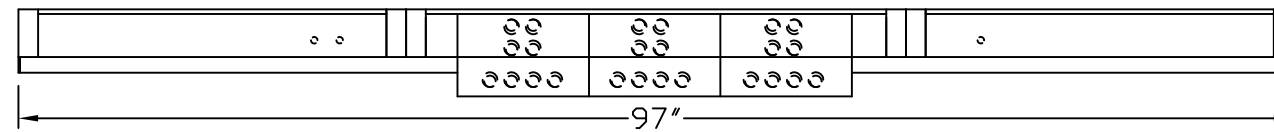
REVISED

SILHOUETTE®
SEMI-RECESSED
MODEL 8500A

SCALE: = 1'

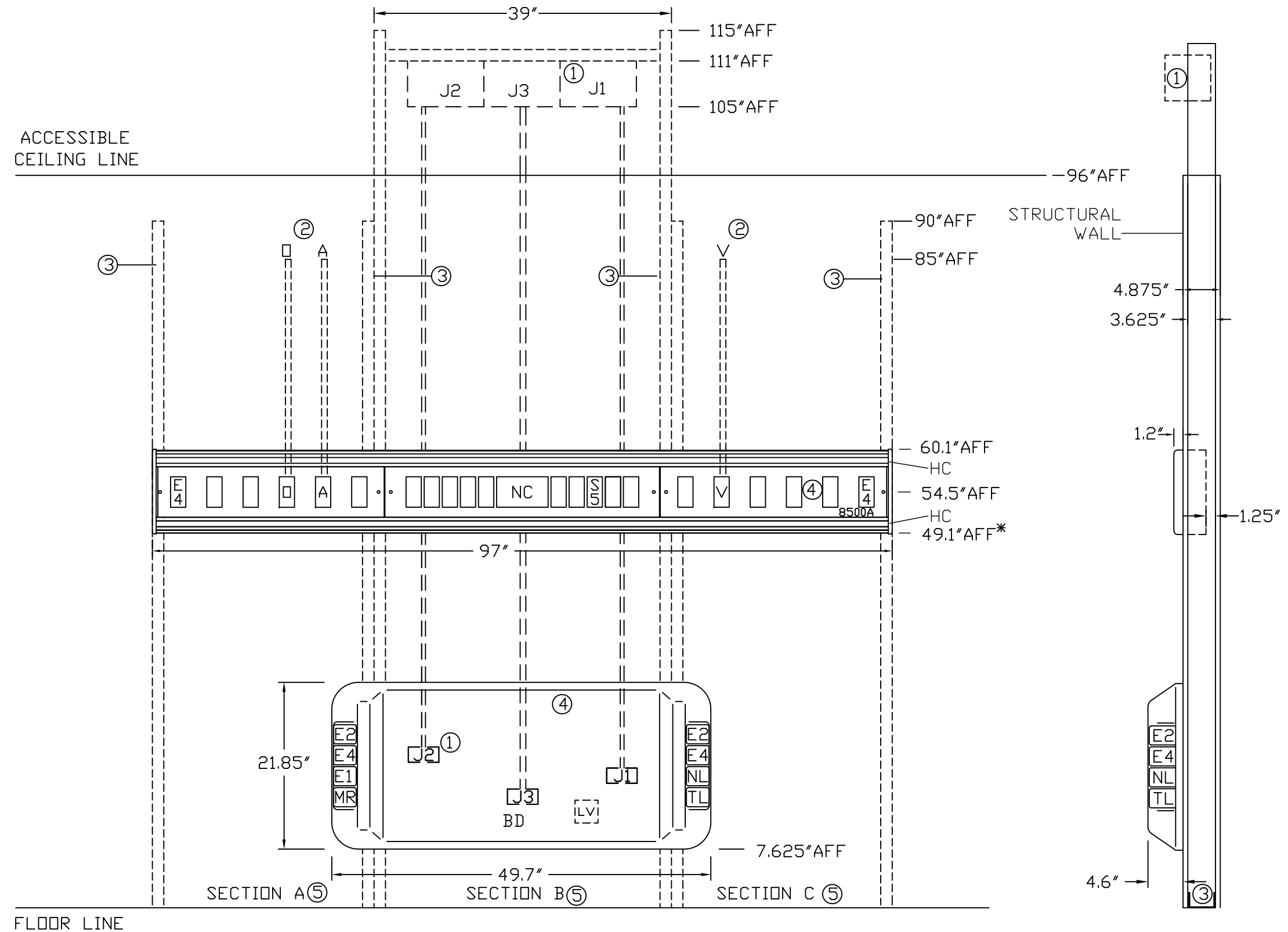
DATE _____ DRAWN BY _____ DRAWING #
PB-145

TOP VIEW

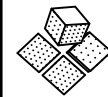


LOW ACUITY
-- REQ'D: -- AS SHOWN
-- OPPOSITE

SEE DRAWING LEG145 FOR WIRING DIAGRAM AND NOTES.



FLOOR LINE



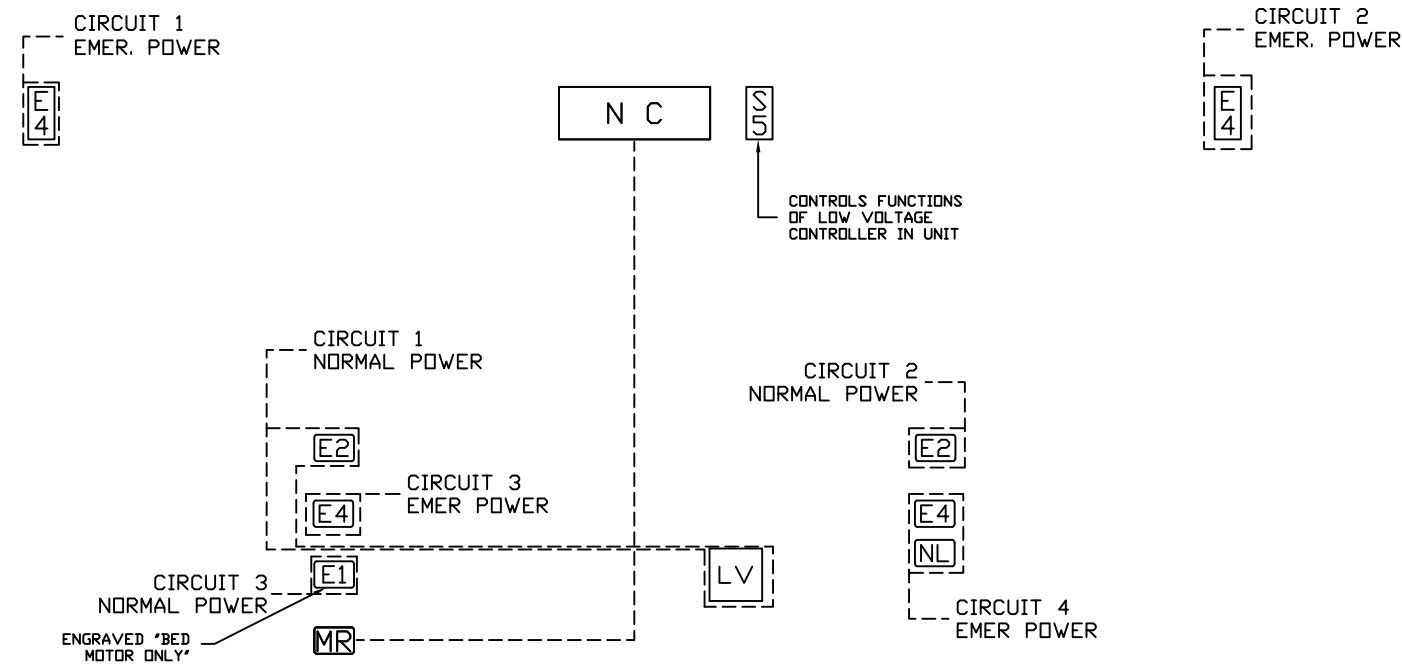
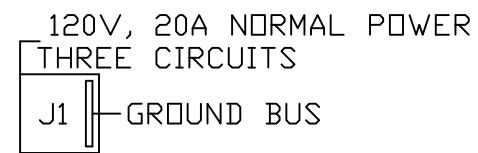
PROJECT

SCALE: =1'

DATE _____ DRAWN BY _____ DRAWING #
PB-145

LEGEND

REQ	SYM	DESCRIPTION
1	□	OXYGEN OUTLET
1	A	AIR OUTLET
1	V	VACUUM OUTLET
1	E1	SINGLE RECEPTACLE, 8310 IVORY, 20A, 125V, H.G., NORMAL POWER
2	E2	DUPLEX RECEPTACLE, 8300 IVORY, 20A, 125V, H.G., NORMAL POWER
4	E4	DUPLEX RECEPTACLE, 8300 RED, 20A, 125V, H.G., EMER. POWER
1	NC	NURSE CALL PROVISION
1	S5	LOW VOLTAGE MOM CONTACT SWITCH, 1P, 3 POS, CENTER OFF, IVORY
2	HC	HORIZONTAL ACCESSORY CHANNEL
1	BD	BED DOCKER
1	TL	TELEPHONE OUTLET SINGLE CAT 5, RJ-45 RECEPTACLE
1	MR	MULTI-PIN BED RECEPTACLE 37 PIN CONNECTOR W/CABLE
1	NL	NIGHT LIGHT, SIERRA 2156, 4 WATT, 115V, LOUVERED FACE
1	LV	LOW VOLTAGE SWITCHING PACKAGE



WIRING DIAGRAM

GROUND WIRING TO BE #10
GREEN STRANDED COPPER.