

NOTES:

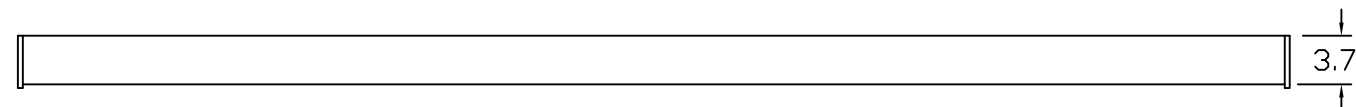
- ① JUNCTION BOXES: J1--NORMAL POWER, J2--EMER. POWER, J3--NURSE CALL/TELEPHONE/MULTI PIN.
- ② GAS PIPING: TYPE L COPPERTUBING. OXYGEN & AIR--1/2" I.D., VAC--3/4" I.D.
- ③ PANEL LAMINATE COLOR: TO BE DETERMINED. ALUMINUM SURFACES HAVE A POWDER COATED FINISH TO MATCH FORMICA #923 'SURF'.
- ④ KYDEX COVER ON BED DOCKER TO MATCH 'SURF' OR 'PLATINUM GREY'.
- ⑤ ENDCAPS ADD A TOTAL OF 3/4" ONTO TOTAL LENGTH.

PROJECT

SCALE:  =1'

DATE \_\_\_\_\_ DRAWN BY \_\_\_\_\_ DRAWING #  
PB-144

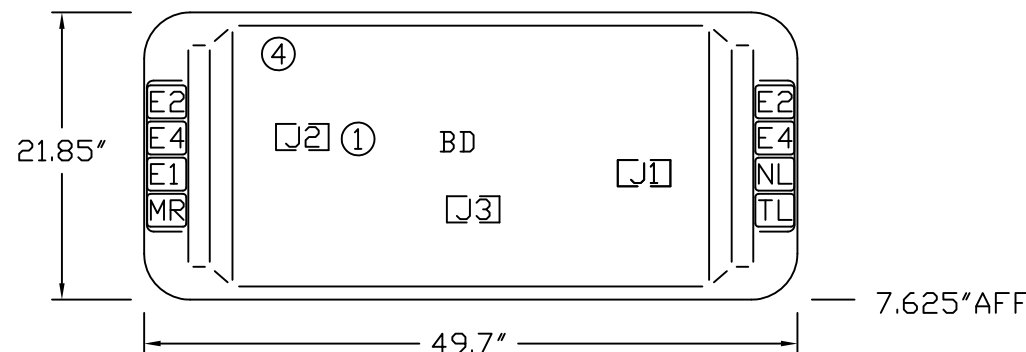
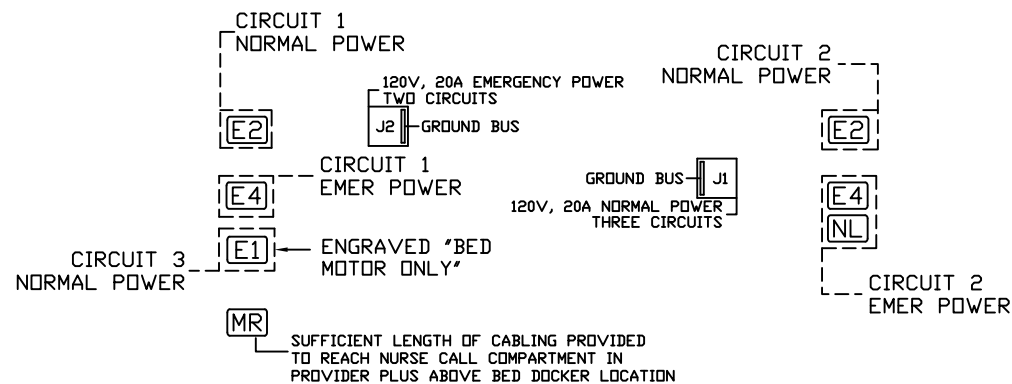
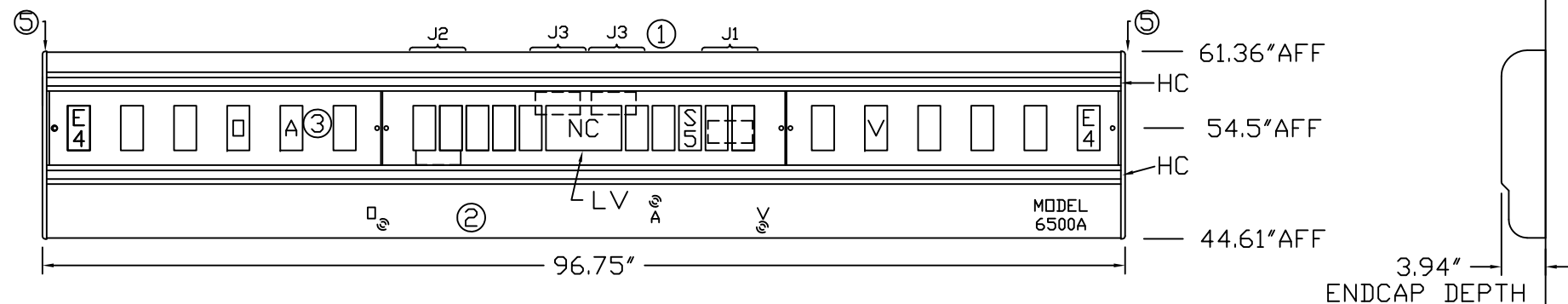
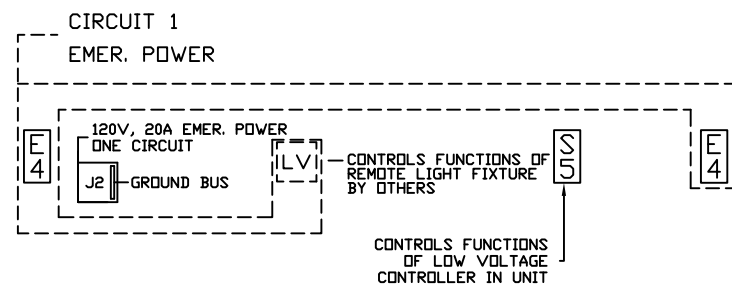
LOW ACUITY  
\_\_ REQ'D: \_\_AS SHOWN  
\_\_OPPOSITE



CEILING LINE

—96" AFF

**ROUGH-IN TEMPLATES ARE INCLUDED WITH THESE UNITS  
SEE INSTALLATION INSTRUCTIONS FOR MORE INFORMATION**



4.6" →

WIRING DIAGRAM

FLOOR LINE

GROUND WIRING TO BE #10  
GREEN STRANDED COPPER

\*AFF (ABOVE FINISHED FLOOR)

