

NOTES:

- ① JUNCTION BOXES: J1--NORMAL POWER, J2--EMERGENCY POWER, J3--NURSE CALL/TELEPHONE/MULTI PIN/CODE BLUE.
- ② GAS PIPING: TYPE L COPPERTUBING. OXYGEN & AIR--1/2" I.D., VAC--3/4" I.D.
- ③ PANEL LAMINATE COLOR: TO BE DETERMINED. ALUMINUM SURFACES TO HAVE A POWDER COATED FINISH TO MATCH FORMICA #923 'SURF'.
- ④ KYDEX COVER ON BED DOCKER TO MATCH 'SURF' OR 'PLATINUM GREY'.
- ⑤ ENDCAPS ADD A TOTAL OF 3/4" ONTO TOTAL LENGTH.

**MODULAR SERVICES COMPANY** 500 EAST BRITTON ROAD  
OKLAHOMA CITY, OK. 73114

REVISED

PROVIDER PLUS®  
TWO TIER W/DOCKER  
MODEL 6600B

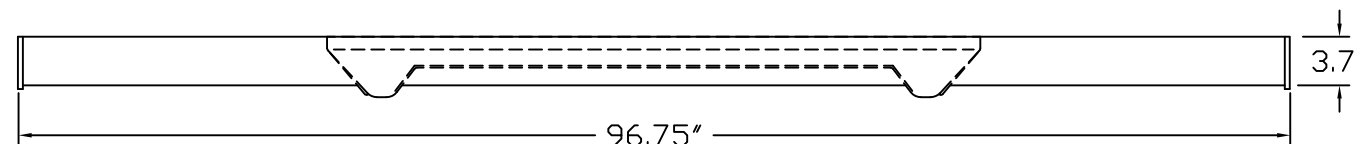
PROJECT

SCALE:  =1'

DATE \_\_\_\_\_ DRAWN BY \_\_\_\_\_ DRAWING #  
PB-171

MEDIUM ACUITY

-- REQ'D: -- AS SHOWN  
-- OPPOSITE

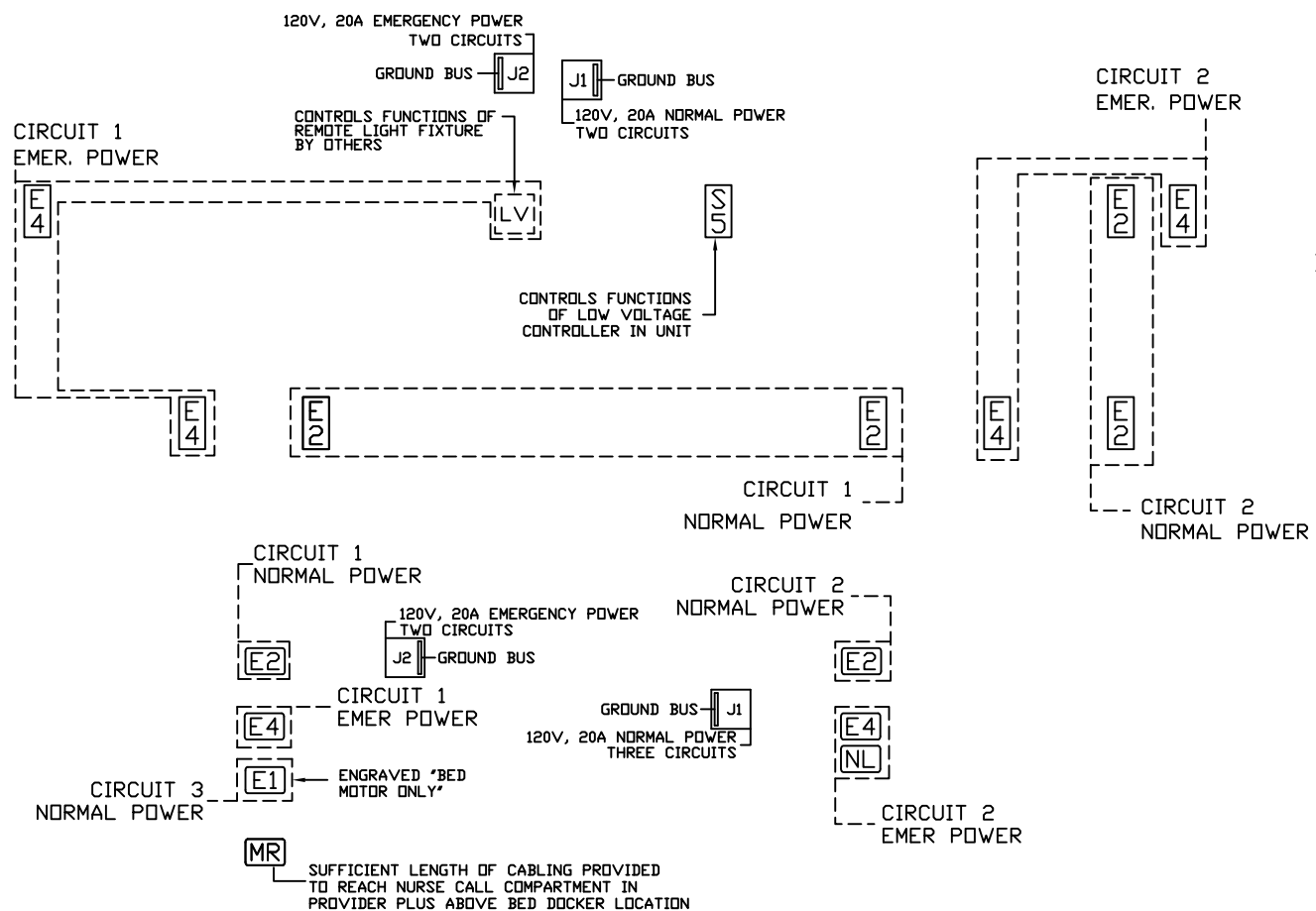


CEILING LINE

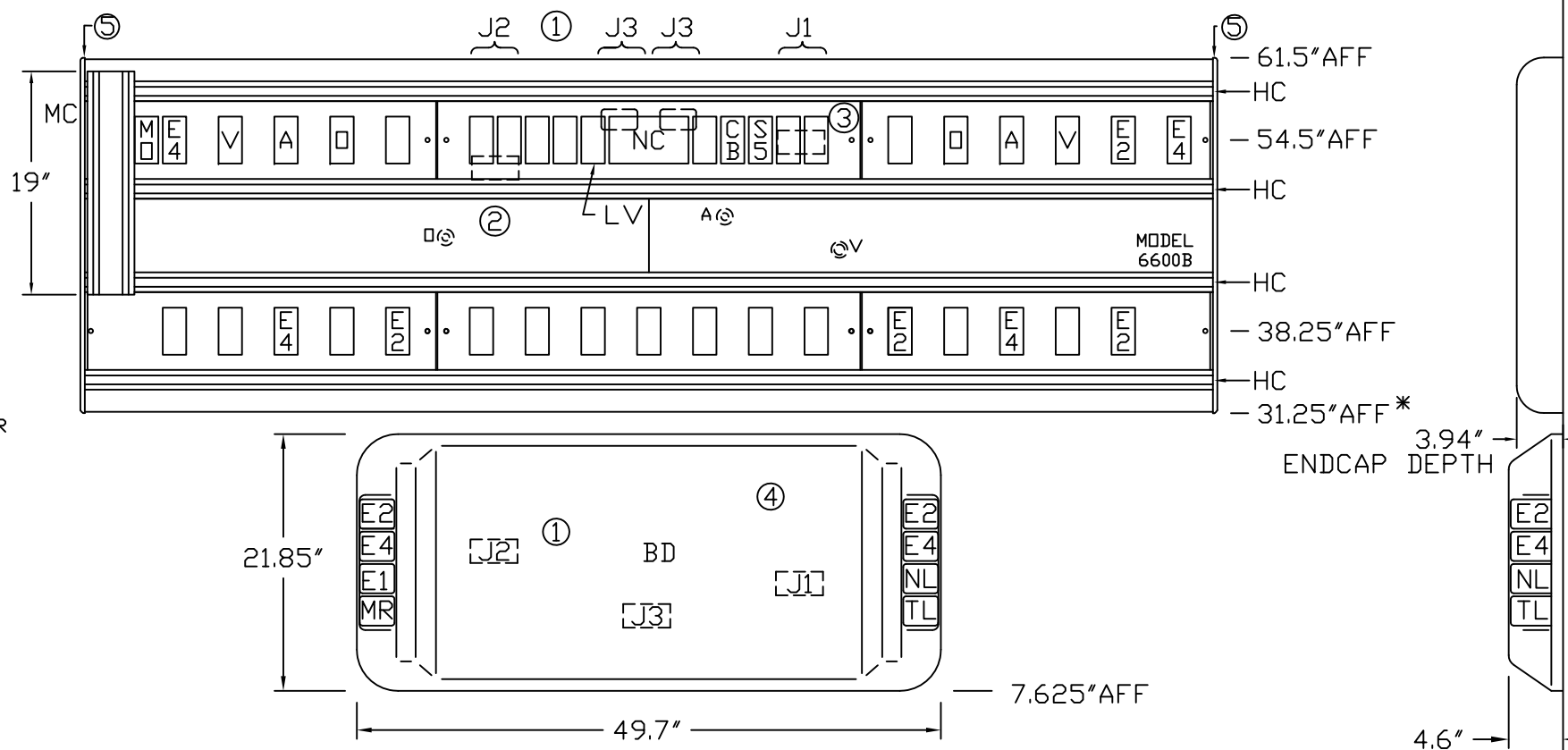
96" AFF

WIRING DIAGRAM

GROUND WIRING TO BE #10  
GREEN STRANDED COPPER



ROUGH-IN TEMPLATES ARE INCLUDED WITH THESE UNITS  
SEE INSTALLATION INSTRUCTIONS FOR MORE INFORMATION



\* AFF (ABOVE FINISHED FLOOR)

FLOOR LINE

