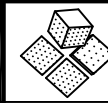


NOTES:

- ① JUNCTION BOXES: J1--NORMAL POWER, J2--EMER. POWER, J3--NURSE CALL/TELEPHONE.
- ② GAS PIPING: TYPE L COPPERTUBING. OXYGEN & AIR--1/2" I.D., VACUUM--3/4" I.D.
- ③ COLOR TO MATCH 'SURF' OR 'PLATINUM GREY'.
- ④ CEILING HEIGHT: 7'6" MIN TO 9'6" MAX. OTHER HEIGHTS ARE SUBJECT TO AN ADDTL CHARGE. CONTACT YOUR SALES REPRESENTATIVE FOR DETAILS.
- ⑤ MAXIMUM CONDUIT SIZE FOR DOUBLE-SIDED UNITS IS 3/4".



MODULAR 500 EAST BRITTON ROAD
SERVICES COMPANY OKLAHOMA CITY, OK. 73114

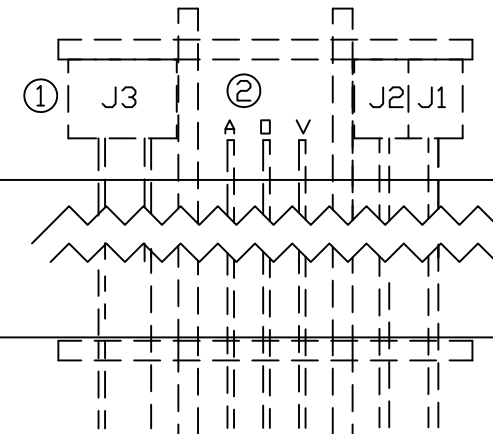
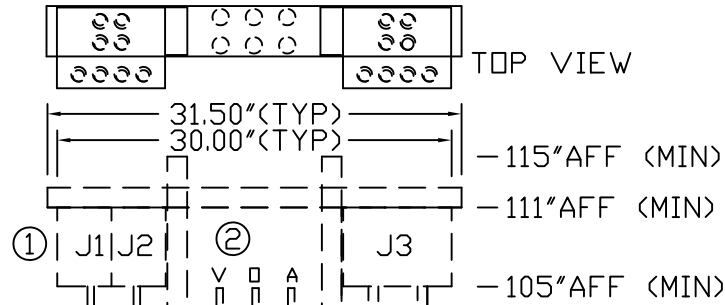
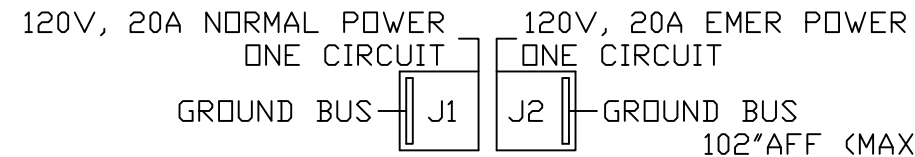
REVISED

DUAL PROFILE® UNIT
SINGLE SIDED, SEMI-RECESSED
MODEL 7012

SCALE: =1'

DATE _____ DRAWN BY _____ DRAWING #
PB-110

SERVICES TO BE REVERSED
ON OPPOSITE HAND UNITS

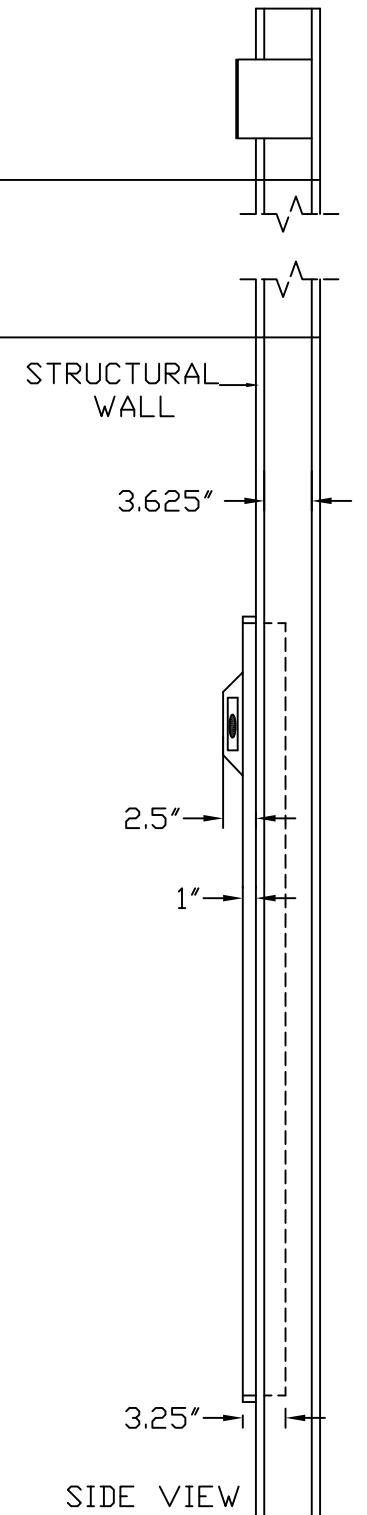
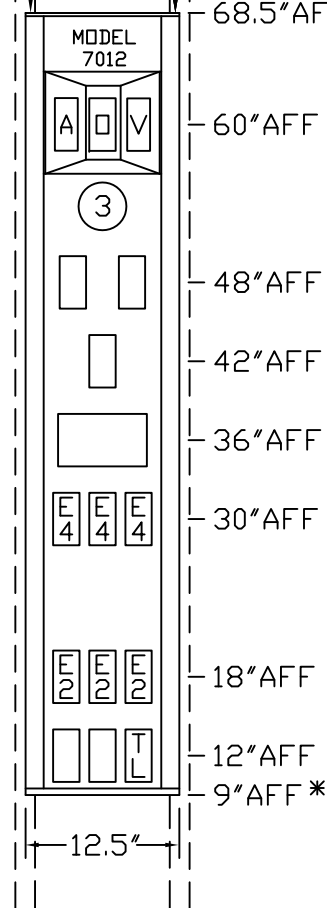
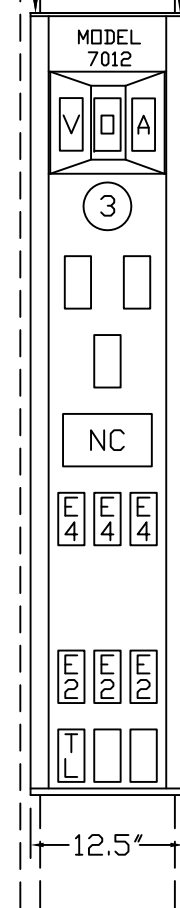
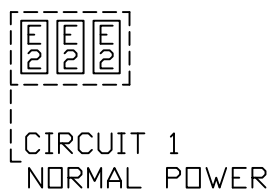
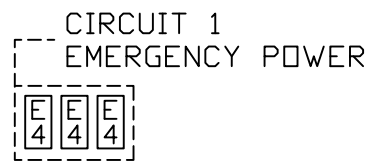


ACCESSIBLE
CEILING LINE
102" AFF (MAX)
90" AFF (MIN)

VTF VTF

VTF VTF
68.5" AFF

TYPICAL OF TWO SERVICES
TO BE REVERSED ON OPP.
HAND UNITS.



WIRING DIAGRAM
GROUND WIRING TO BE #10
GREEN STRANDED COPPER

FLOOR LINE

SIDE VIEW

*AFF (ABOVE FINISHED FLOOR)

