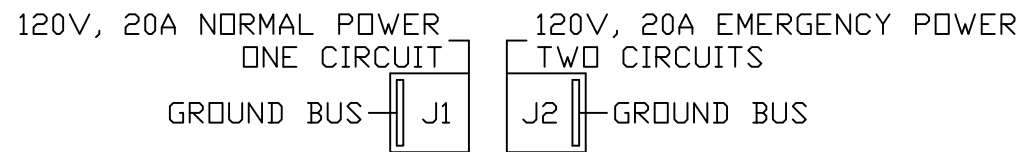


NOTES:

- ① JUNCTION BOXES: J1--NORMAL POWER, J2--EMERGENCY POWER, J3--NURSE CALL/CODE BLUE, J4--TELEPHONE.
- ② GAS PIPING: TYPE L COPPER TUBING. OXYGEN & AIR--1/2" I.D., VACUUM--3/4" I.D.
- ③ PANEL COLOR: POWDER COATED FINISH THAT MATCHES 'SURF' OR 'PLATINUM GREY'.
- ④ CONDUIT: C1--MONITOR (1-1/4")



MODULAR SERVICES COMPANY 500 EAST BRITTON ROAD
OKLAHOMA CITY, OK. 73114

PROJECT _____

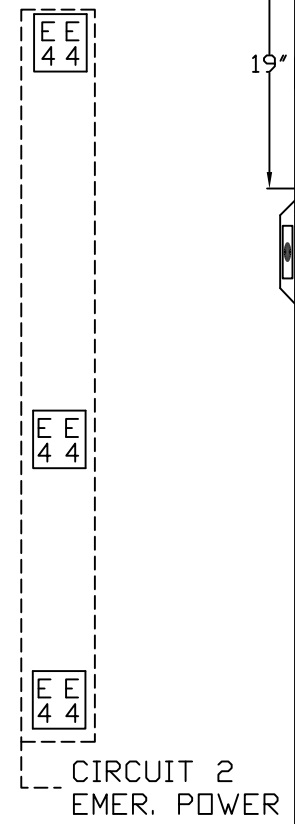
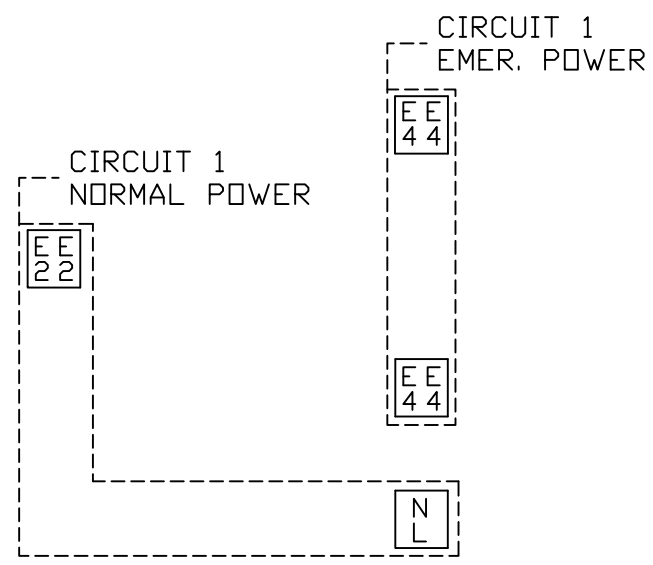
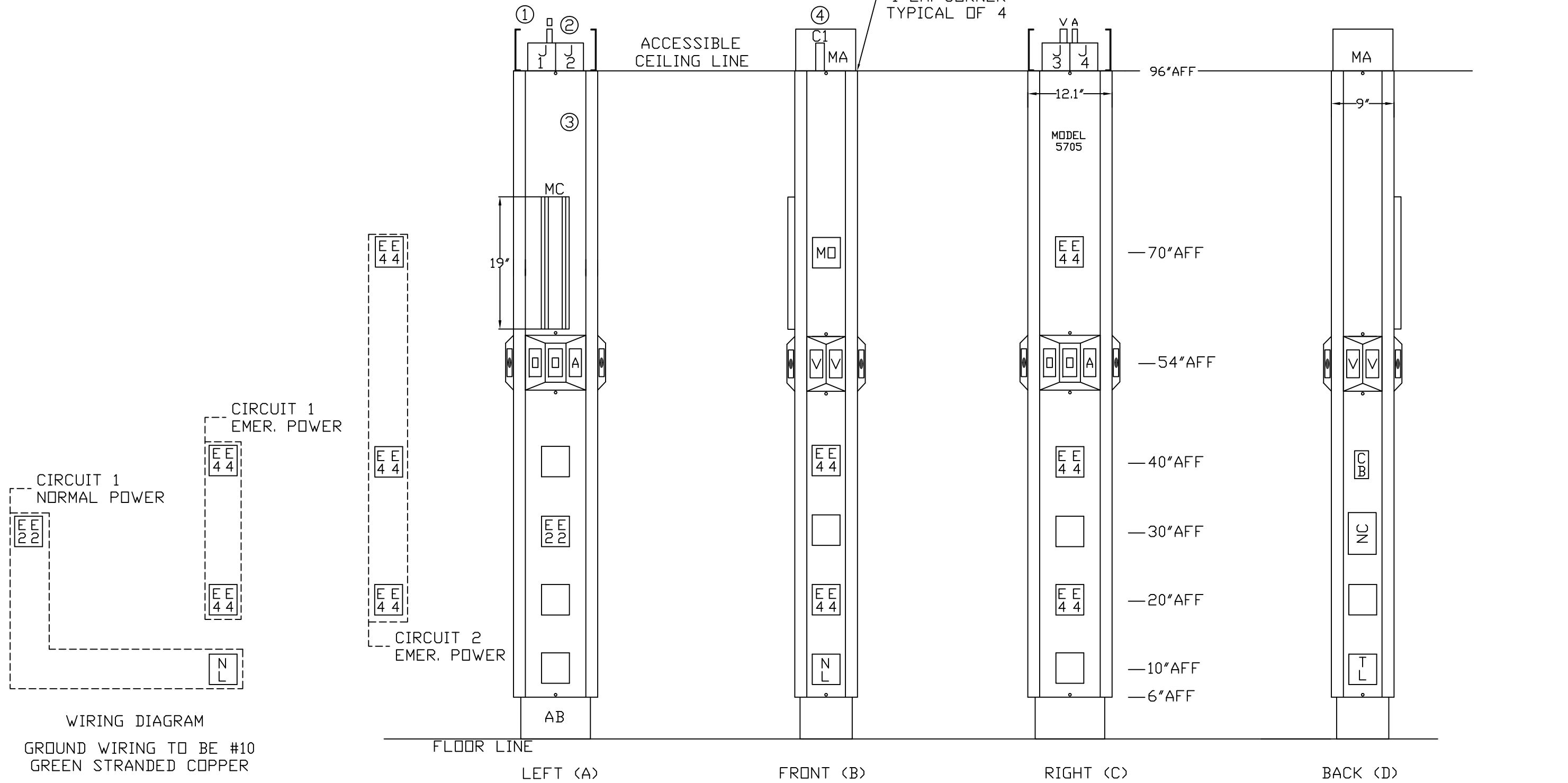
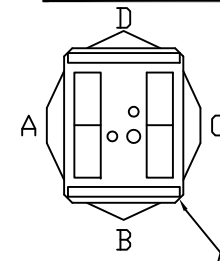
REVISED _____

MIDI COLUMN
MODEL 5705

SCALE: _____ = 1'

DATE _____ DRAWN BY _____ DRAWING #
PB-141

MEDIUM/HIGH ACUITY
 --- REQ'D: ___ AS SHOWN
 ___ OPPOSITE



WIRING DIAGRAM
 GROUND WIRING TO BE #10
 GREEN STRANDED COPPER

*AFF (ABOVE FINISHED FLOOR)

