

**NOTES:**


- ① JUNCTION BOXES: J1--NORMAL POWER, J2--EMERGENCY POWER, J3--NURSE CALL/CODE BLUE, J4--TELEPHONE.
- ② GAS PIPING: TYPE L COPPER TUBING. OXYGEN & AIR--1/2" I.D., VACUUM--3/4" I.D.
- ③ PANEL COLOR: POWDER COATED FINISH THAT MATCHES 'SURF' OR 'PLATINUM GREY'.
- ④ CONDUIT: C1--MONITOR (1-1/4")

**MODULAR SERVICES COMPANY** 500 EAST BRITTON ROAD  
OKLAHOMA CITY, OK. 73114

PROJECT

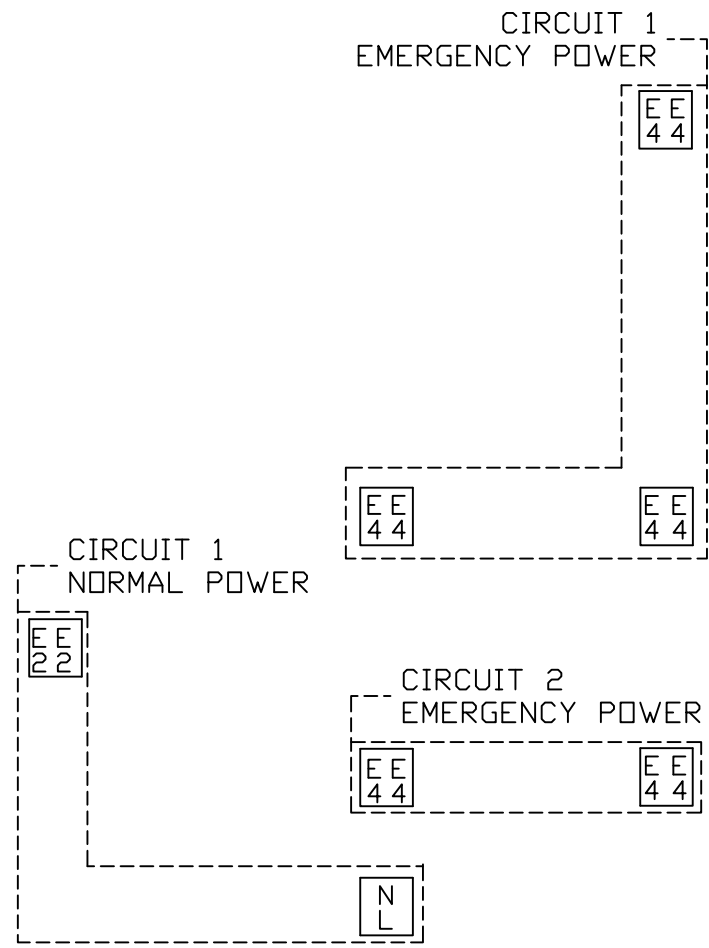
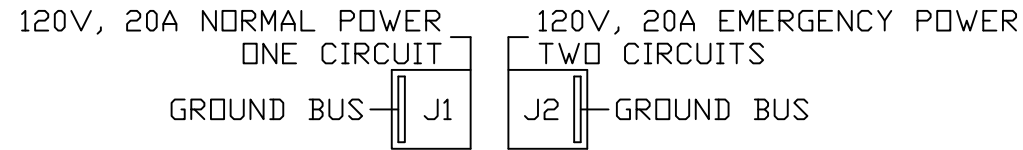
REVISED

MIDI COLUMN  
MODEL 5704

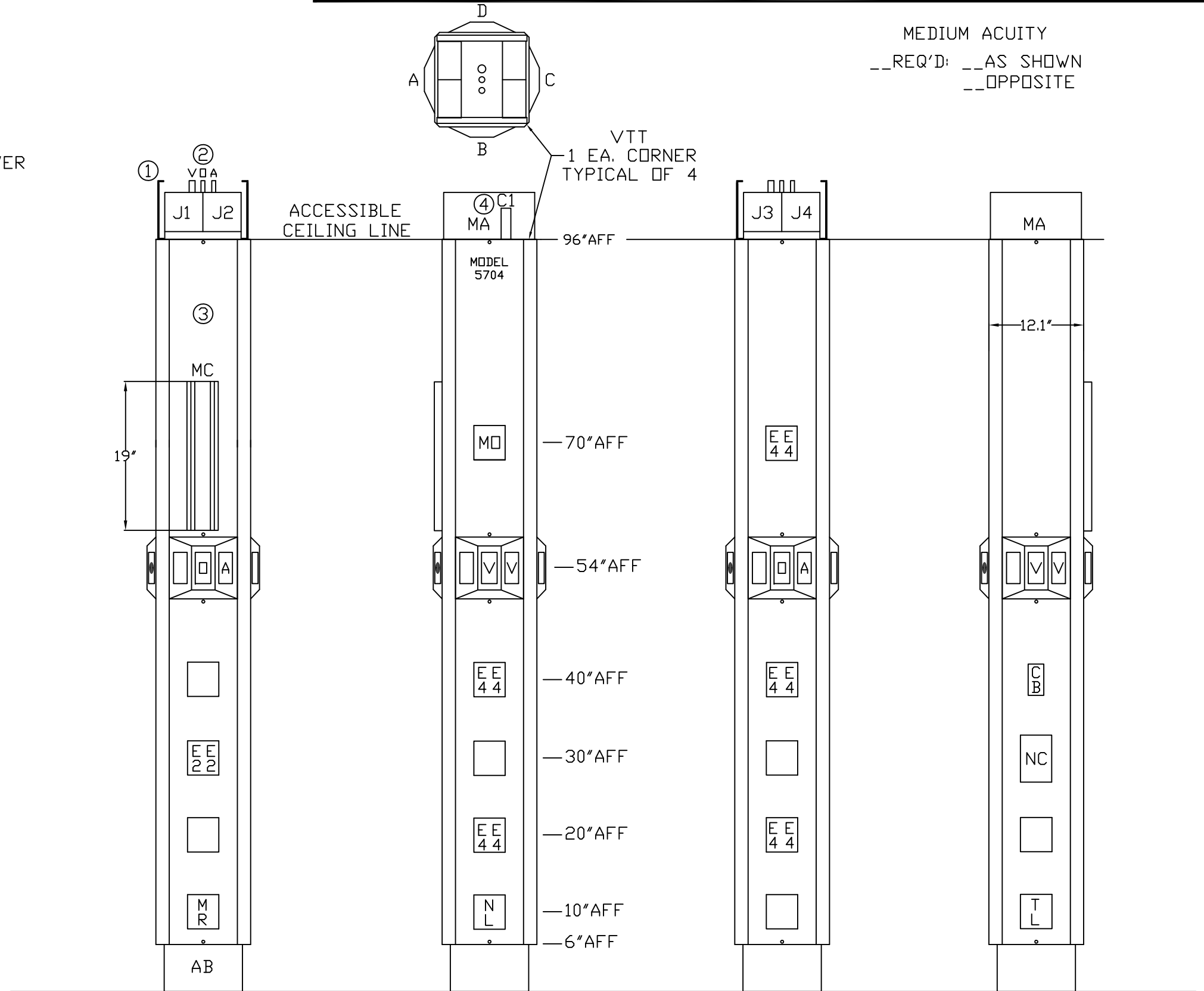
SCALE:  = 1'

DATE \_\_\_\_\_ DRAWN BY \_\_\_\_\_ DRAWING #  
PB-140

MEDIUM ACUITY  
 \_\_REQ'D: \_\_AS SHOWN  
 \_\_OPPOSITE



WIRING DIAGRAM  
 GROUND WIRING TO BE #10  
 GREEN STRANDED COPPER



FLOOR LINE

LEFT (A)

FRONT (B)

RIGHT (C)

BACK (D)

\*AFF (ABOVE FINISHED FLOOR)

