

**MODULAR** 500 EAST BRITTON ROAD  
**SERVICES COMPANY** OKLAHOMA CITY, OK. 73114

REVISED

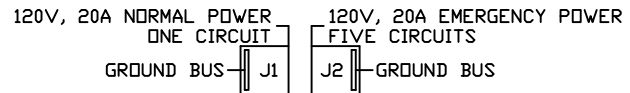
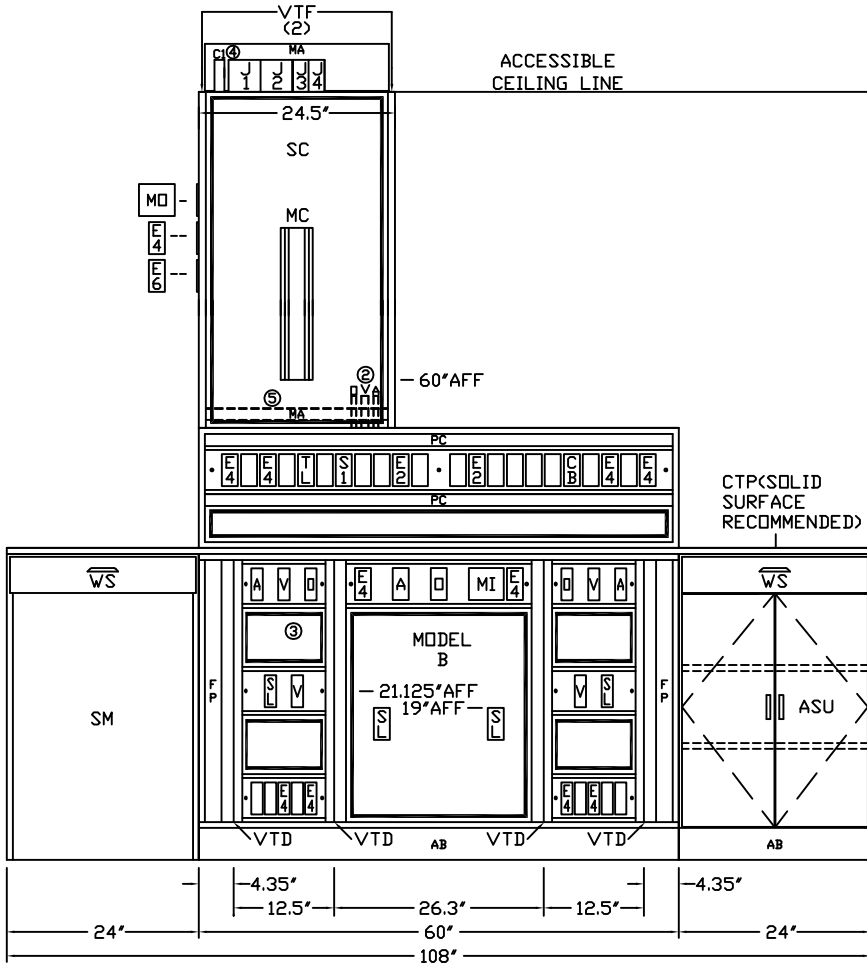
NEONATAL INTENSIVE  
 CARE UNIT  
 TYPE B

PROJECT

SCALE: = 1'  
 DATE \_\_\_\_\_ DRAWN BY \_\_\_\_\_ DRAWING #  
 PB-161

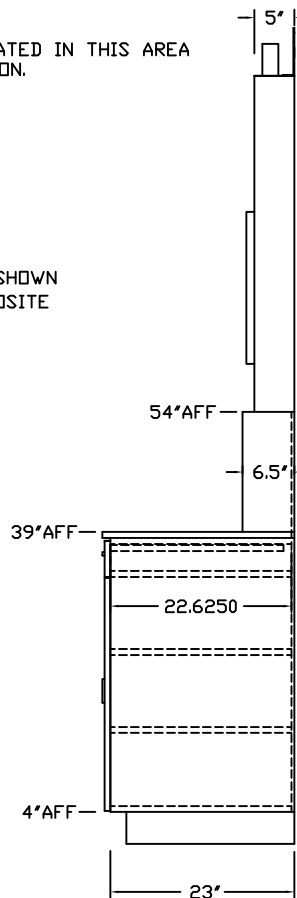
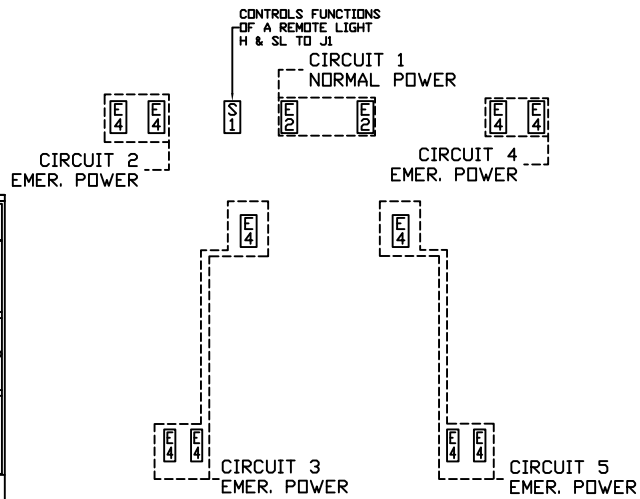
NOTES:

- ① JUNCTION BOXES: J1--NORMAL POWER, J2--EMERGENCY POWER, J3--CODE BLUE, J4--TELEPHONE.
- ② GAS PIPING: TYPE L COPPERTUBING. OXYGEN AND AIR--1/2" I.D., VACUUM--3/4" I.D.
- ③ PANEL LAMINATE COLOR: VERTICAL SURFACES TO BE DETERMINED. HORIZONTAL SURFACES TO BE DETERMINED.
- ④ CONDUIT: C1--MONITOR (1-1/4").
- ⑤ SERVICES FROM THE LOWER SECTION WILL BE TERMINATED IN THIS AREA AND WILL REQUIRE FIELD ROUTING DURING INSTALLATION.



HIGH ACUITY

-- REQ'D -- AS SHOWN  
 -- OPPOSITE



**WIRING DIAGRAM**

GROUND WIRING TO BE #10 GREEN STRANDED COPPER.

