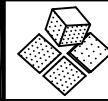


**NOTES:**

- ① JUNCTION BOXES: J1--NORMAL POWER, J2--EMERGENCY POWER, J3--NURSE CALL/CODE BLUE, J4--TELEPHONE.
- ② GAS PIPING: TYPE L COPPERTUBING. OXYGEN AND AIR--1/2" I.D., VACUUM--3/4" I.D.
- ③ PANEL LAMINATE COLOR: TO BE DETERMINED.
- ④ CONDUIT: C1--MONITOR (1-1/4")



**MODULAR SERVICES COMPANY** 500 EAST BRITTON ROAD  
OKLAHOMA CITY, OK. 73114

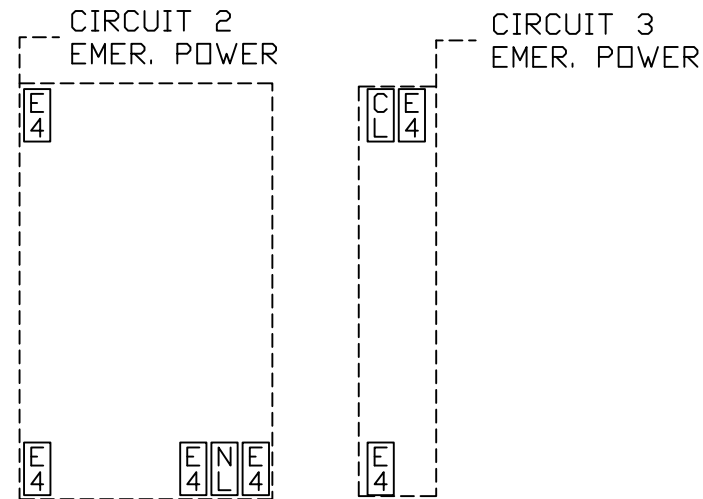
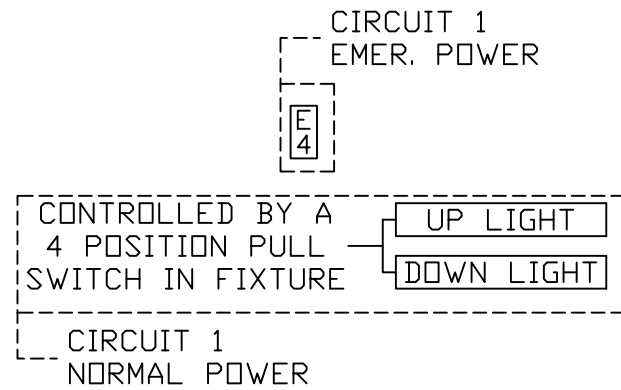
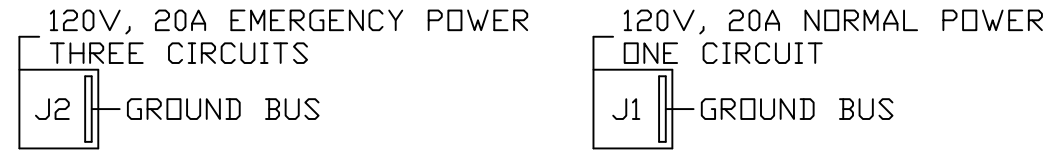
REVISED

FLATWALL  
MODEL 4401

PROJECT

SCALE: =1'

DATE \_\_\_\_\_ DRAWN BY \_\_\_\_\_ DRAWING #  
PB-156



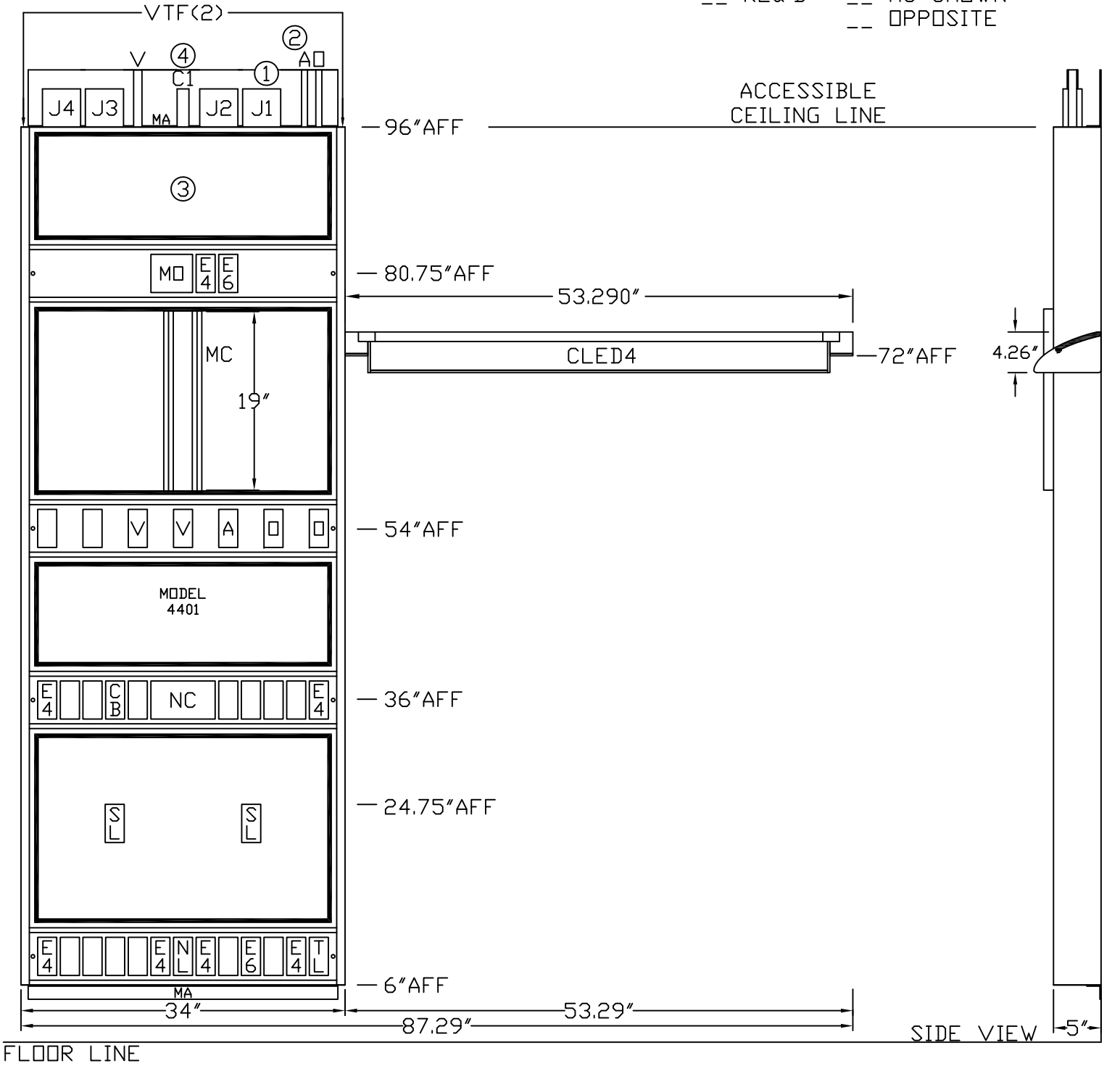
WIRING DIAGRAM

GROUND WIRING TO BE #10  
GREEN STRANDED COPPER

SERVICES TO BE REVERSED  
ON OPPOSITE HAND UNITS

MEDIUM ACUITY

-- REQ'D: -- AS SHOWN  
-- OPPOSITE



\*AFF: ABOVE FINISHED FLOOR

