



MODULAR
SERVICES COMPANY

CLARITY LED



CLARITY LED | OVERBED PATIENT LIGHT

The Clarity LED is a stylish solution for overbed patient lighting. Photometric testing shows that placement above and behind the patient delivers optimal distribution of light for reading. If a low voltage controller is included (optional), light levels can be adjusted via the nurse call system or using a separate pendant pillow switch (optional).

FEATURES

- Delivers multiple light levels for patient and caregiver: indirect, direct, both, as well as flip-top examination section
 - Unique convenience switch (option) allows exam lighting to illuminate automatically when exam head is flipped open
 - Automatically returns to previous light mode when exam head is closed
 - Top and bottom lenses are fully supported in grooves to prevent sagging fluctuations
 - Separate mounting plate makes installation easy; mount rigid but lightweight plate to wall and then install fixture
 - Low voltage controller (optional) allows patient control from nurse call system or separate pillow switch (optional)
 - Single-piece extruded aluminum body with die-cast handles for extreme durability
 - Entirely serviceable without removal from wall or headwall
-

Construction

Extruded aluminum housing

Die-cast aluminum handles

High impact acrylic lenses, UV treated to prevent yellowing with age

Standard White polyester powder coat finish; Optional Surf or anti-microbial powder coat finishes available

Wall mount brackets included. Packaged separately.

Source

Nichia LED chips (or equivalent) mounted on linear boards

Driver

eldoLED ECOdrive, Dim to 1% light output

Weight

25 lbs (3ft); 35 lbs (4ft)

Voltage

120V MVOLT

Input Watts

101 watts (top and bottom mode 2U2D configuration 4ft fixture)

51 watts (top mode 2U2D configuration 4ft fixture)

Switching

Line voltage switching (by others)

Low voltage controller (optional) for patient control of up and down light sequentially from nurse call system or pillow switch (optional)

Switching (cont.)

2-position pull chain for on/off control or 4-position pull chain for sequential control of up and down light (optional, 120V only)

Light Output

10860 lumens (top and bottom mode 2U2D configuration 4ft fixture)

5490 lumens (top mode 2U2D configuration 4ft fixture)

Dimming

0-10V dimming standard

Color Quality

>80 CRI

Life Estimate

50,000 hours*

*LED life projection based on IES TM-21 and IES LM-80

Listings

CSA certified to meet US and Canadian standards. Damp location listed.

Note: Actual performance may differ as a result of end-user environment and application.

All values are design or typical values, measured under laboratory conditions at 25 °C.

CATALOG NUMBER

Example: HPW248 120 LED35 2U2D LV LCR AM

Series	Voltage	Lamping Type	Lamping
HPW236 Clarity 3ft Length	120^s 120V	LED27 2700K LED	2U1D 2 rows, LEDs up, 1 row LEDs down
HPW248 Clarity 4ft Length	MVOLT 120-277 Volt	LED30 3000K LED	2U2D 2 rows LEDs up, 2 rows LEDs down
		LED35 3500K LED	1U1D 1 row LEDs up, 1 row LEDs down
		LED40 4000K LED	1U2D 1 row LEDs up, 2 rows LEDs down

Continued on next page

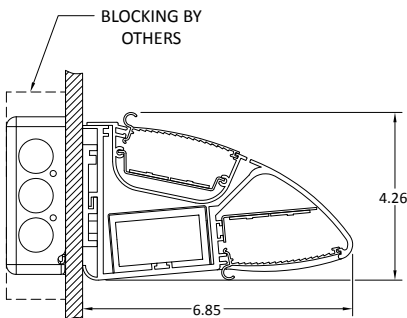
Switching Configuration	Option	Finish
LV Low Voltage Controller - Sequential and Independent Switching	S2LDL ^{1,2} On/Off Pull Chain on Left (bottom only)	LCL ³ 3w LED Chart Light with Switch on Left
LV1L ¹ LVC with Pillow Switch for Down Light on Left	S2RDL ^{1,2} On/Off Pull Chain on Right (bottom only)	LCR ³ 3w LED Chart Light with Switch on Right
LV1R ¹ LVC with Pillow Switch for Down Light on Right	S2CDL ^{1,2} On/Off Pull Chain on Center (bottom only)	LCLHW ³ 3w LED Chart Light "Hard Wired" Left
LV2L ¹ LVC with Pillow Switch on Left - Sequencing Up + Down Light	S4L ^{1,2} 4 Position Pull Chain on Left	LCRHW ³ 3w LED Chart Light "Hard Wired" Right
LV2R ¹ LVC with Pillow Switch on Right - Sequencing Up + Down Light	S4R ^{1,2} 4 Position Pull Chain on Right	BD ² Bed-Stop Switch
S2L ² On/Off Pull Chain on Left (top & bottom)	S4C ^{1,2} 4 Position Pull Chain on Center	CS Convenience Switch
S2R ² On/Off Pull Chain on Right (top & bottom)	SX No Switch	
S2C ² On/Off Pull Chain on Center (top & bottom)		

Notes:

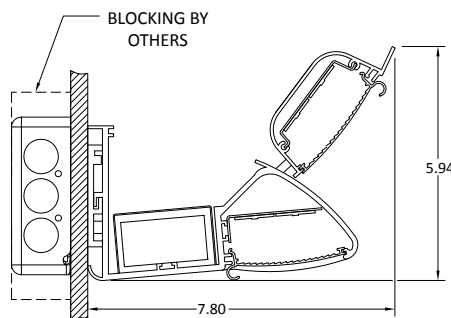
1. For pull chain and pillow switch, specify "left" or "right" as viewed facing the head wall
2. BD, S2, and S4 options are compatible with 120v only
3. 3W LED chart light (option) always installed opposite end from pull chain or pillow switch
4. Custom color requires factory pricing
5. Must use with BD, S2, or S4 options

DIMENSIONS

FIXTURE	NOMINAL LENGTH	ACTUAL LENGTH (including handles)
HPW248 LED	48"	53.29"
HPW236 LED	36"	41.29"



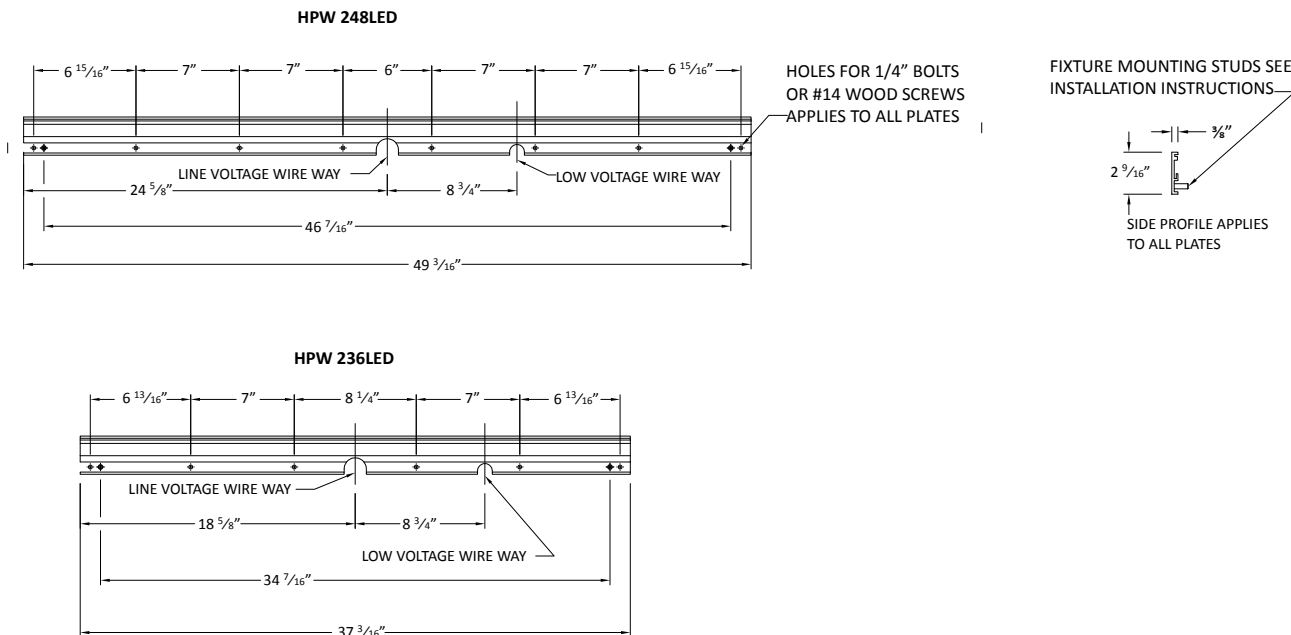
SIDE VIEW
CROSS SECTION
FIXTURE EXAM LIGHT CLOSED



SIDE VIEW
CROSS SECTION
FIXTURE EXAM LIGHT OPEN

MOUNTING INFORMATION

- Installation is made easy by the incorporation of a separate mounting plate (blocking by others).
- After the plate is mounted to the wall, the fixture can be quickly connected and hung.
- It is the responsibility of the party installing the fixture to select appropriate fasteners that are suitable for the wall material and construction.
- It is the responsibility of the person installing the light fixture to ensure that the materials, hardware and building structural members that are selected will support the light fixture(s) and that they meet all applicable building and safety codes.
- Complete electrical connections according to the wiring diagram on ballast tray, following all applicable building codes and regulations.



PERFORMANCE DATA

LUMEN OUTPUT

Lumen values are from photometric tests from an accredited laboratory. Data is considered to be representative of the configurations shown, within the tolerances allowed within generally accepted industry tolerances. Actual performance may differ as a result of end-user environment and application. Contact factory for performance data on any configurations not shown here.

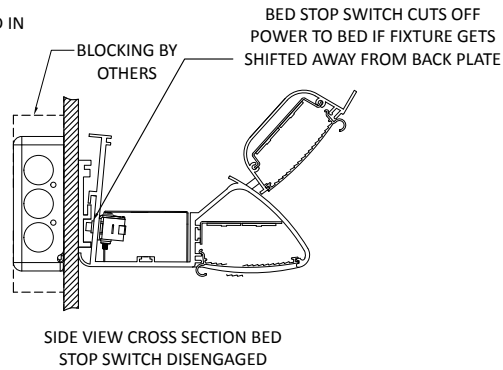
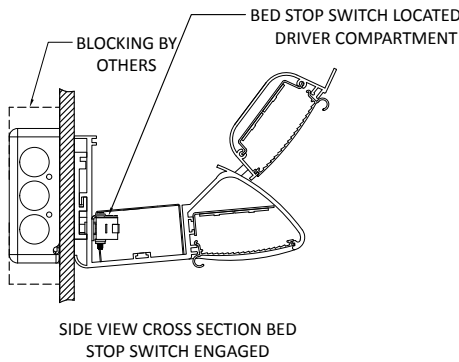
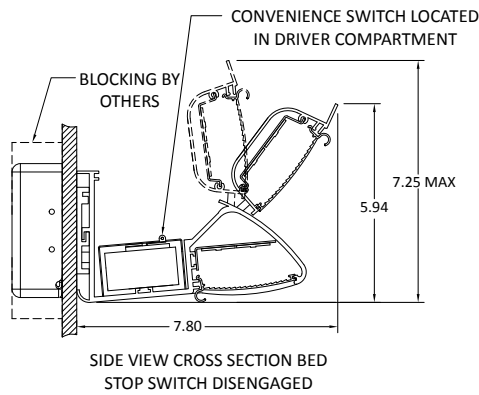
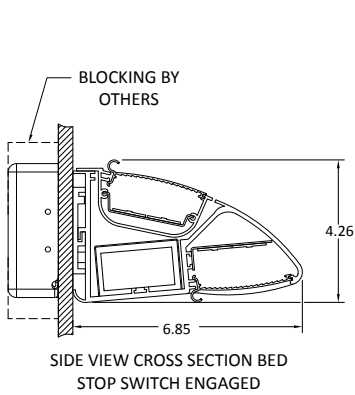
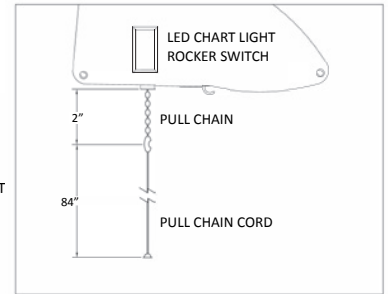
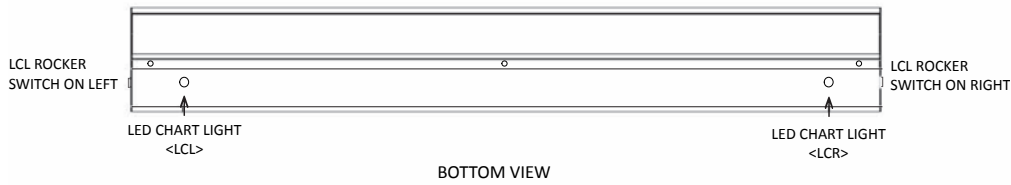
For 4ft Fixture		
Light Switch Mode	Lumen Output	Max CD
top and bottom on	10860 lumens	2370 candela
DIRECT: bottom on	5370 lumens	2260 candela
INDIRECT: top on	5490 lumens	2370 candela
EXAM MODE:	10360 lumens	3920 candela

ELECTRICAL LOAD

For 4ft Fixture	
Light Switch Mode	Input Watts
top and bottom on	102 watts
DIRECT: bottom on	51 watts
INDIRECT: top on	51 watts
EXAM MODE:	102 watts

**Actual performance may differ as a result of end-user environment or application*

OPTION DETAILS



MODULAR
SERVICES COMPANY

500 E. Britton Rd. • Oklahoma City, OK 73114
Tel: 800.687.0938 • Fax: 405.528.0368
www.modularservices.com
info@modularservices.com