



## **Sleek, Easily positionable, versatile and LED energy saving technology**

Carelite LED has a sleek compact design that makes it perfect for task lighting applications for ambulatory surgery centers, urgent care centers, patient rooms, long term care facilities and other professional settings. Ergonomic positioning handle, dimming, convenient on/off switch and integrated “night-watch” observation light are important features that make this light versatile and easy to operate. From reading to observation and to any task requiring extra light, choose Carelite LED.

### **Features**

- Integrated “night-watch” observation light allows nurses to subtly check on patients.
- Versatile positioning arm for easy and precise placement.
- Recessed light source inside light head to reduce glare. Patient can use light with reduced disruption to other patients.
- All-metal construction can be cleaned with any detergent or disinfectant.
- Protected by SteriTouch® antimicrobial powdercoating to prevent the growth of bacteria, biofilm and mold.
- LED energy efficient source lasts 50,000+ hours with an output of 2000 lux (186 fc) at 24” (0.6 m), 3400\* lux (315 fc) at 18” (0.46 m)



Recessed light source inside light head to reduce glare



Protected by SteriTouch® antimicrobial powder coating

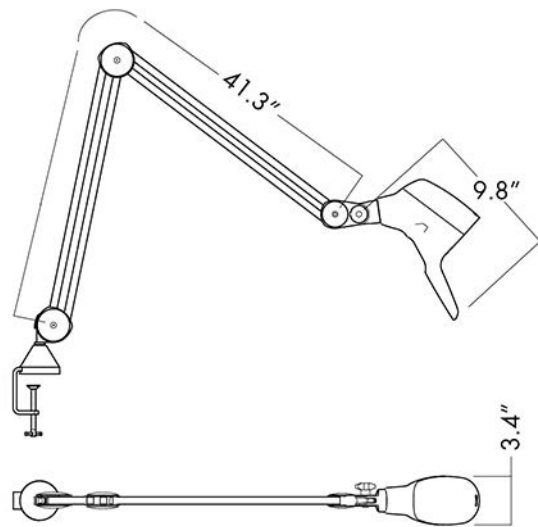
## Carelite LED Technical Data

Illuminance:	2,000 lux (186 fc) at 24" (0.6 cm) 3,400 lux (315 fc) at 18" (0.46 cm)
Color Temperature:	3000 K
CRI (Color Rendering Index):	>90
Light Source:	Light Emitting Diode (LED)
Rated Life of LED Lamp:	50,000 + hours
Power:	9 Watts
Dimming:	Smooth Dimming 10-100%
Night Light:	~1%
Input Voltage:	120V 50/60Hz
Certification:	UL153
Mounting Options:	Wall, Channel or Track Mount



Dimming and integrated "night-watch" for user comfort and convenience


## Carelite LED Range of Motion and General Dimensions



**Ordering Information:**

Model	Description
CARLW	Carelite LED Task Light, Post Mount

*\*Requires either (1) 511-1009: Horizontal Channel Adaptor or (1) 511-1000: Vertical Track Adaptor*

 **California Proposition 65 Warning:**  
This product may contain chemicals, including lead, known to the State of California to cause cancer, birth defects or other reproductive harm.  
For More Information: [www.P65Warnings.ca.gov](http://www.P65Warnings.ca.gov)



500 E. Britton Rd. • Oklahoma City, OK 73114  
Tel: 800.687.0938 • Fax: 405.528.0368  
[www.modularservices.com](http://www.modularservices.com)  
[info@modularservices.com](mailto:info@modularservices.com)