

LEGEND		
REQ	SYM	DESCRIPTION
2	□	OXYGEN OUTLET
2	A	AIR OUTLET
2	∇	VACUUM OUTLET
3	E2	DUPLEX RECEPTACLE, 8300 IVORY, 20A, 125V, H.G., NORMAL POWER
3	E4	DUPLEX RECEPTACLE, 8300 RED, 20A, 125V, H.G., EMER. POWER
1	S5	LOW VOLTAGE MDM CONTACT SWITCH, 1P, 3 POS, CENTER OFF, IVORY
1	NC	NURSE CALL PROVISION
1	AL	AMBIANCE OVERBED LIGHT
1	LV	LOW VOLTAGE SWITCHING PACKAGE

NOTES:

- JUNCTION BOXES: J1--NORMAL POWER, J2--EMERGENCY POWER, J3--LOW VOLTAGE.
- GAS PIPING: TYPE L COPPERTUBING. OXYGEN AND AIR--1/2" I.D., VACUUM--3/4" I.D.
- WOOD STAIN FINISH: TO BE DETERMINED.

MODULAR 500 EAST BRITTON ROAD
SERVICES COMPANY OKLAHOMA CITY, OK 73114

PROJECT

REVISED

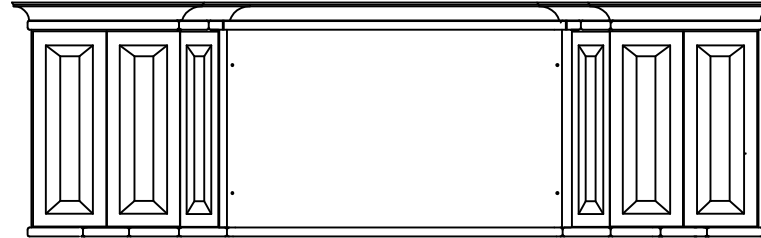
AMBIANCE™
PRIVATE PATIENT HEADWALL

SCALE: = 1'

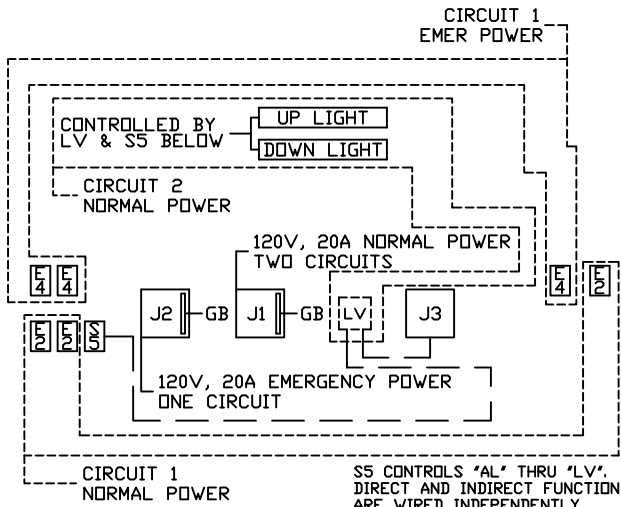
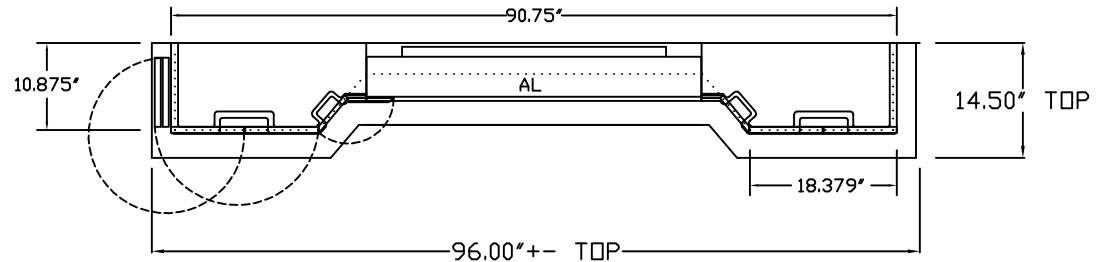
DATE _____ DRAWN BY _____ DRAWING # PB-116

MEDIUM ACUITY

-- REQ'D: -- AS SHOWN
-- OPPOSITE



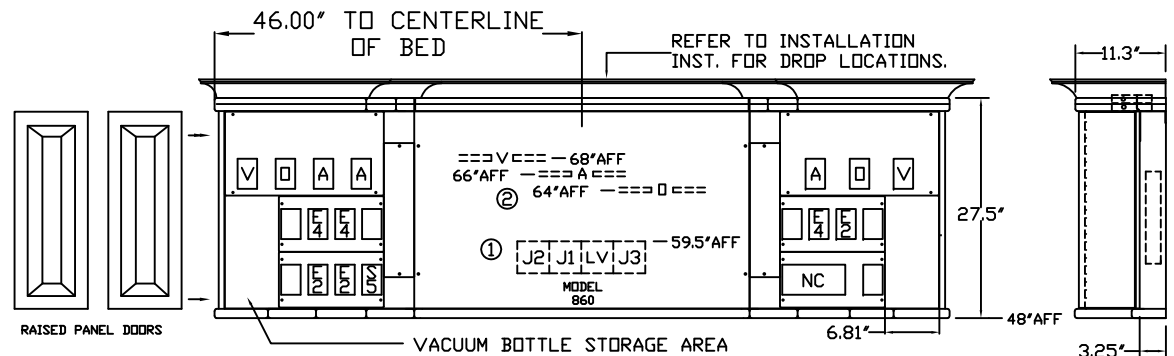
FRONT VIEW WITH DOORS CLOSED



WIRING DIAGRAM

GROUND WIRING TO BE #10 GREEN STRANDED COPPER

S5 CONTROLS "AL" THRU "LV". DIRECT AND INDIRECT FUNCTIONS ARE WIRED INDEPENDENTLY. UP POSITION CONTROLS INDIRECT. DOWN POSITION CONTROLS DIRECT.



PATIENT'S RIGHT

PATIENT'S LEFT