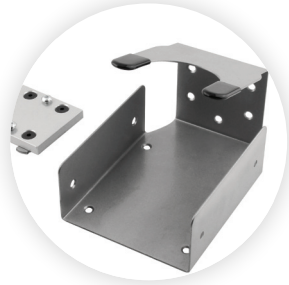


APTUS-M® *a fitting solution*



INTELLIGENTLY DESIGNED

- Universal Scanner Holders are compatible with most scanners
- VESA or Channel Mount options to ensure scanners are easily accessible and do not interfere with work flow

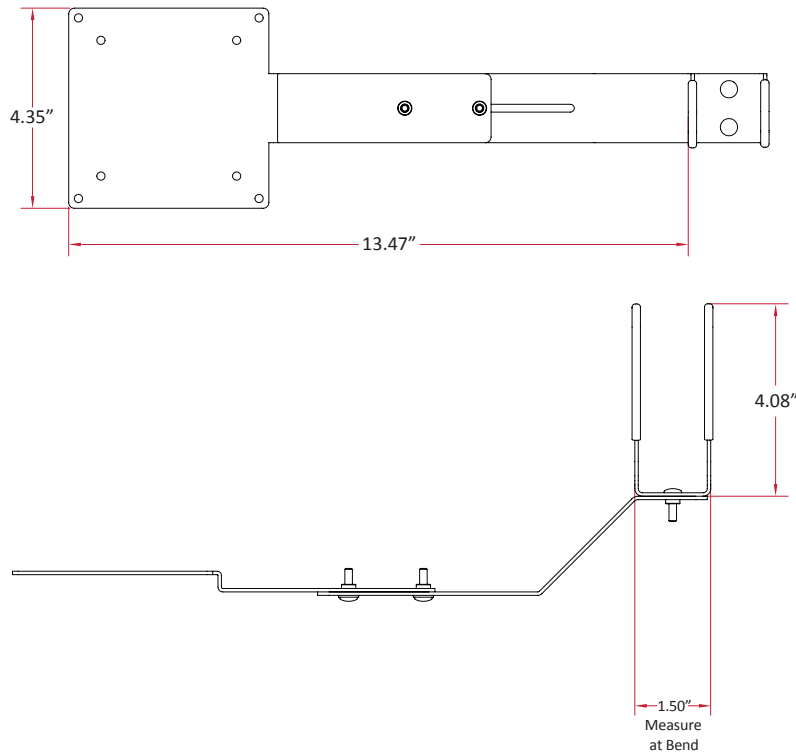
INSTALLS IN MINUTES

- Easy, effortless one-step installation
- Complete mounting hardware is supplied resulting in seamless integration to the monitor or channel

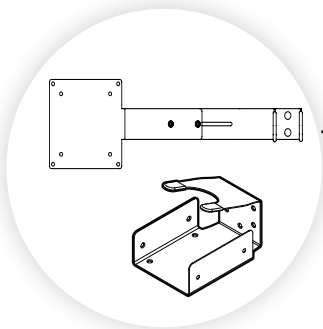
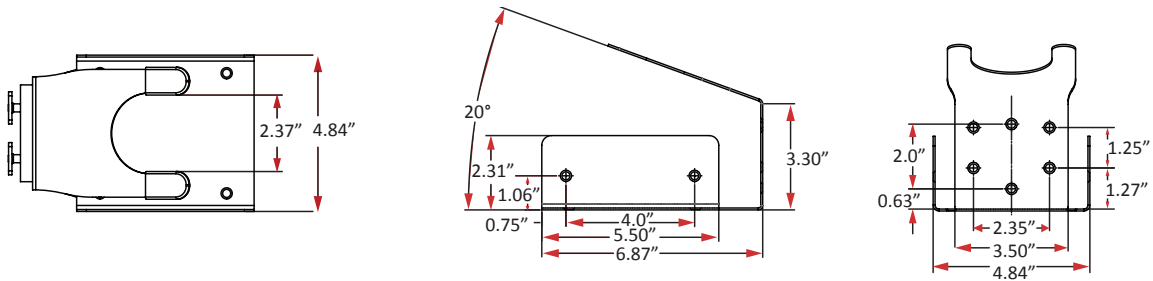
BUILT FOR LIFE

- Anodized aluminum construction ensures maximum durability
- Scanner with point of care access prevents workflow interruption

APTUS® M Scanner Holder, VESA Mount (MSC Stock #518-2333)



APTUS® M Scanner Holder, Channel Mount (MSC Stock #518-2348)



Model	Description	Shipping Weight	Box Dimensions
518-2333	APTUS® M Scanner Holder, VESA Mount	4 lbs.	5" x 9" x 3"
518-2348	APTUS® M Scanner Holder, Channel Mount	1 lb.	5" x 9" x 3"

FINISH: SILVER - ANODIZED ALUMINUM



500 E. Britton Rd. • Oklahoma City, OK 73114
 Tel: 800.687.0938 • Fax: 405.528.0368
www.modularservices.com
info@modularservices.com