

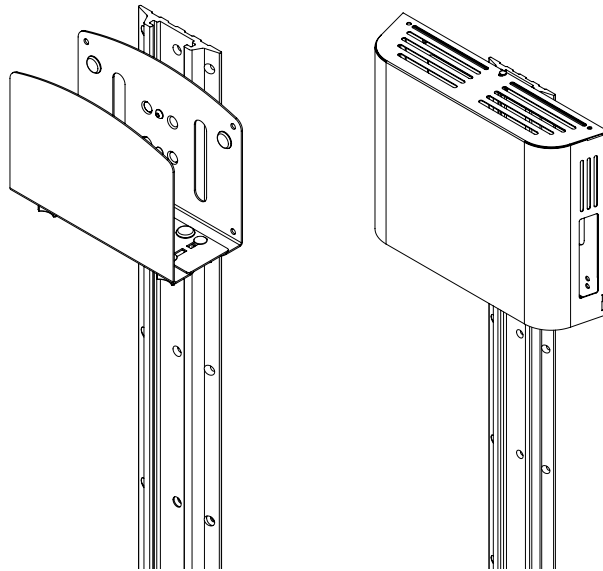


MODULAR
SERVICES COMPANY

INSTALLATION MANUAL

APTUS[®]-M
a fitting solution

ULTRA THIN CPU CRADLE & ENCLOSED CPU HOLDER



ULTRA THIN CPU CRADLE

Figure 1. Position Carriage Mount

From the top of the monitor channel, slide the carriage mount to the desired location. Use the supplied 5/32" Allen Key to tighten the four screws until carriage mount is secure in the channel.

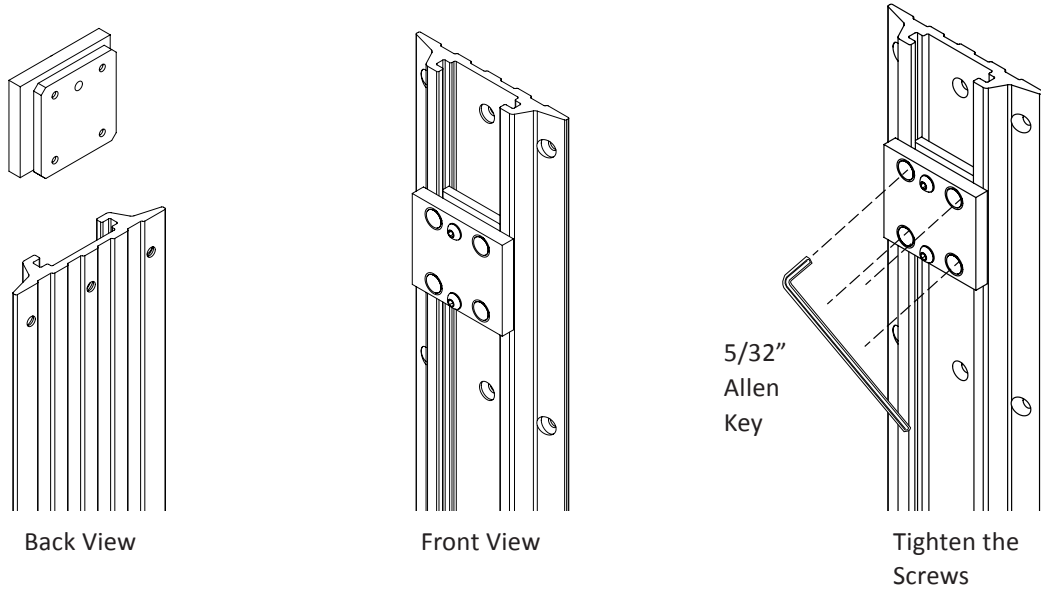


Figure 2. Secure Back Cradle

Remove the two screws from the carriage mount. Secure the back cradle to the carriage mount with the two screws.

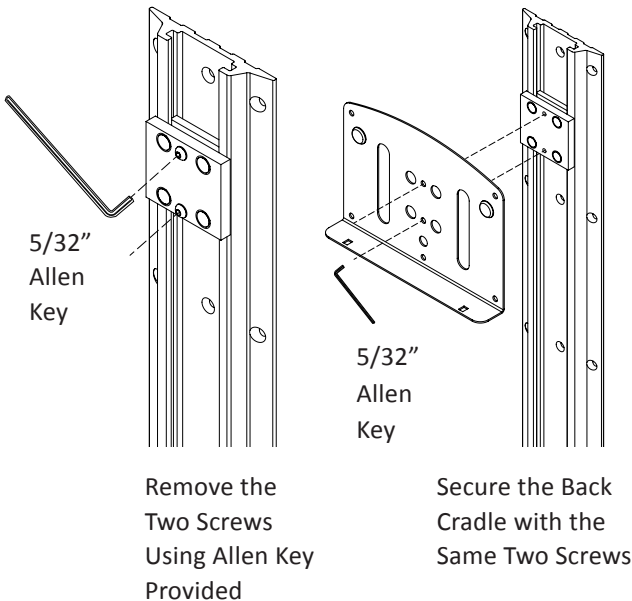
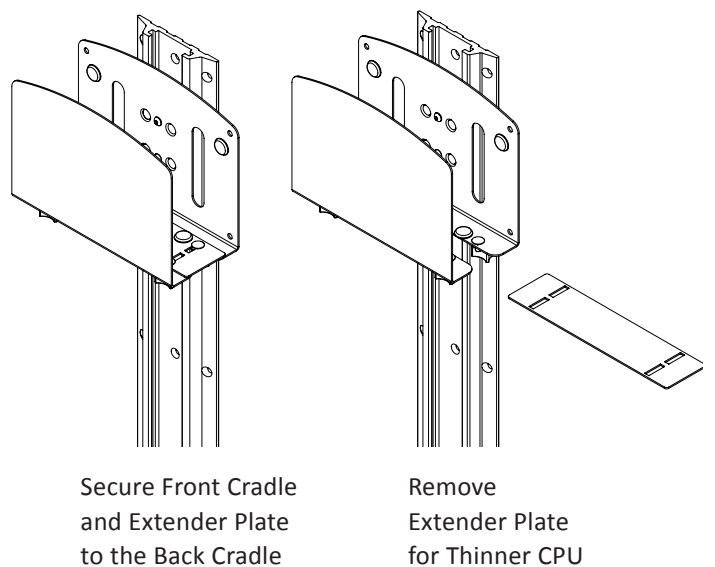


Figure 3. Secure Front Cradle

Secure the front of the cradle to the back of the cradle using the four screws, four knobs and extender plate. Tighten knobs until almost snug. Before tightening knobs completely, apply pressure to secure the frame firmly around the CPU. Tighten each knob. **NOTE:** The extender plate can be removed if the cradle needs to accommodate a thinner CPU.



ENCLOSED CPU HOLDER

Figure 1. Position Carriage Mount

From the top of the monitor channel, slide the carriage mount to the desired location. Use the supplied 5/32" Allen Key to tighten the four screws until carriage mount is secure in the channel.

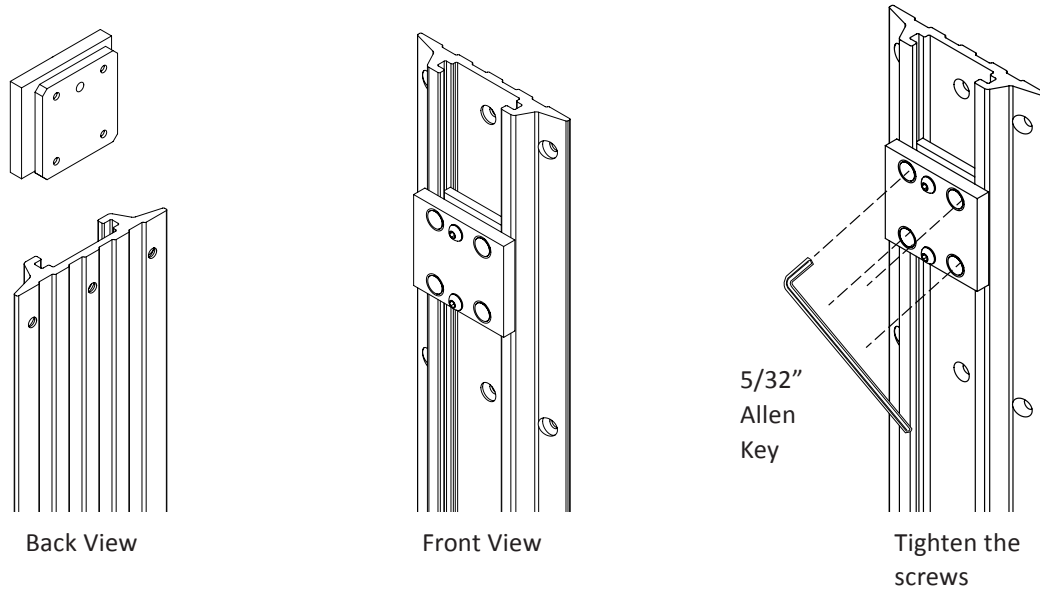


Figure 2. Separate Front & Back Cover

Remove the #2 Phillips screws from the top of the CPU cradle to separate the front and back cover.

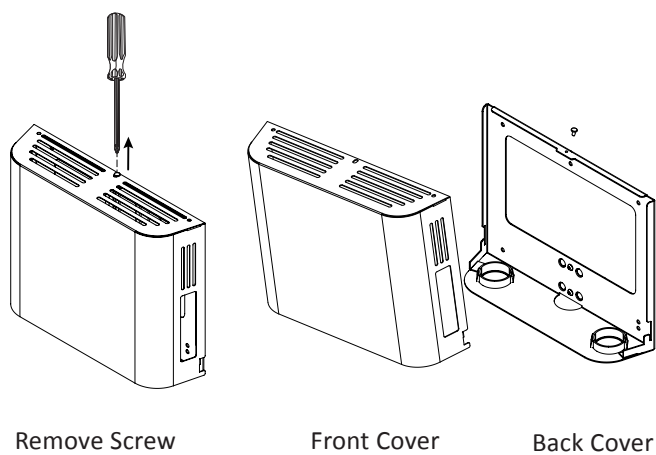


Figure 3. Secure Back Cover

Remove the two screws from the carriage mount. Secure the back cover to the carriage mount with the same two screws.

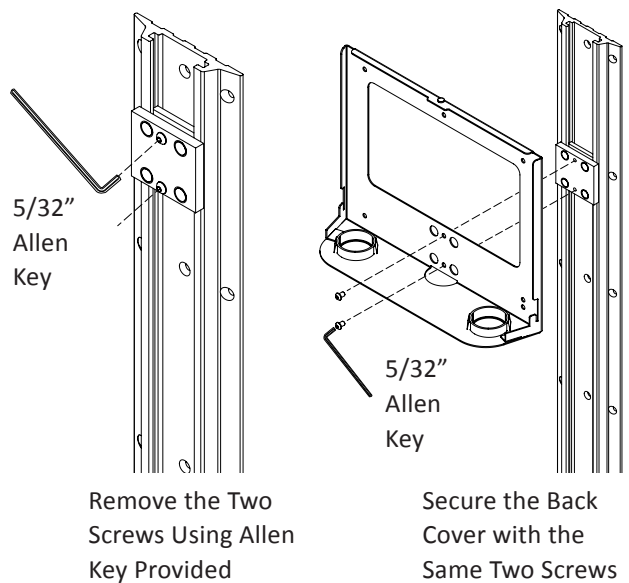
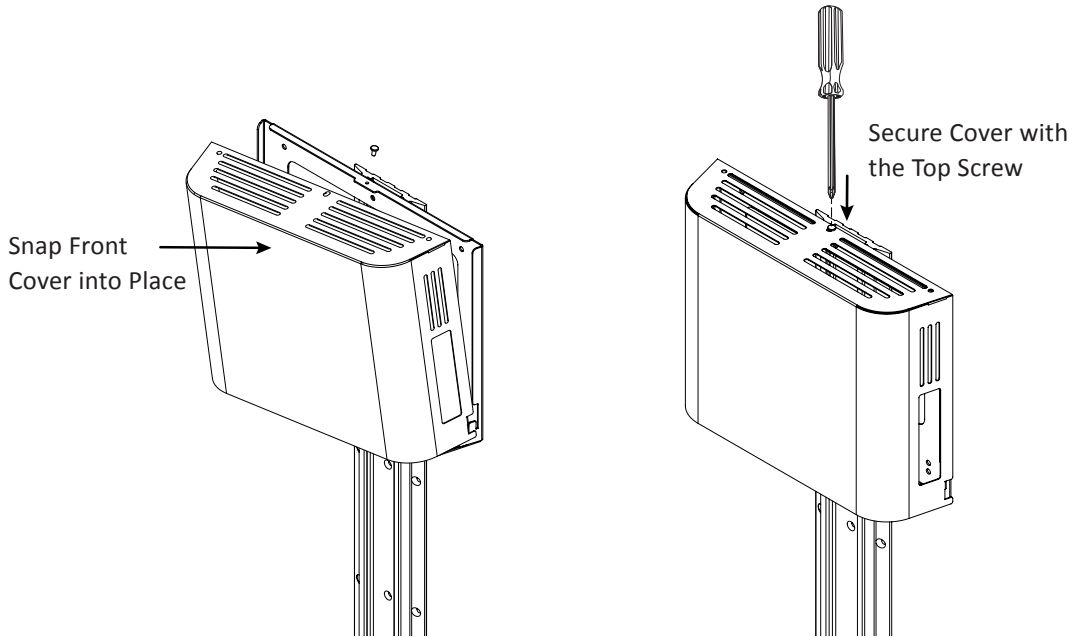


Figure 4. Secure Front Cover

Once the CPU has been placed on the back cover of the CPU holder, snap the front cover into place. Use the top screw to secure the front cover.



WARRANTY

Modular Services Company warrants that all equipment assemblies shall be free from defects in material and workmanship for a period of 12 months from date of the owner's acceptance to the installing contractor or the date the equipment is put into service, whichever comes first. Warranty excludes electric lamps and/or any material not furnished by Modular Services. Warranty does not cover damage due to improper installation and/or abuse.

It is the responsibility of the customer to report any noted product deficiencies to Modular Services immediately upon discovery. It is the responsibility of Modular Services to expediently resolve the discrepancy. Any modification made to the product without the written authorization from Modular Services will void this warranty.

Also, in the event product modifications or repairs are made without the written consent of Modular Services, Modular Services shall not be held liable for any cost associated with the modification or repair.

There are no warranties of fitness which extend beyond the description on the face hereof.



MODULAR
SERVICES COMPANY

500 E. Britton Rd. • Oklahoma City, OK 73114

Tel: 800.687.0938 • Fax: 405.528.0368

www.modularservices.com

info@modularservices.com