

## APTUS-M® *a fitting solution*



### **INTELLIGENTLY DESIGNED**

- Universal Scanner Holders are compatible with most scanners
- VESA or Channel Mount options to ensure scanners are easily accessible and do not interfere with work flow

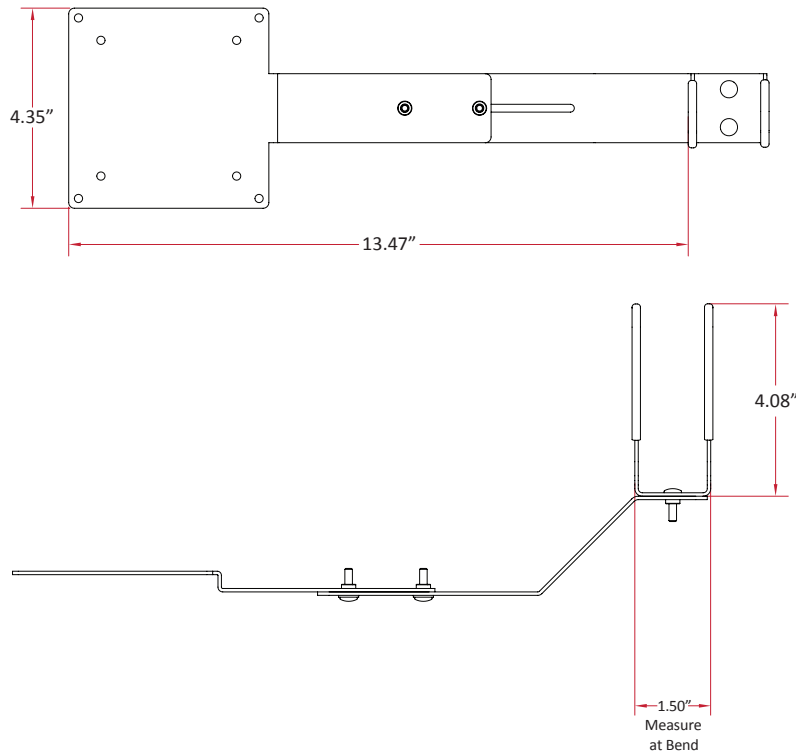
### **INSTALLS IN MINUTES**

- Easy, effortless one-step installation
- Complete mounting hardware is supplied resulting in seamless integration to the monitor or channel

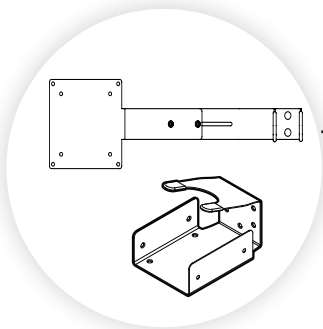
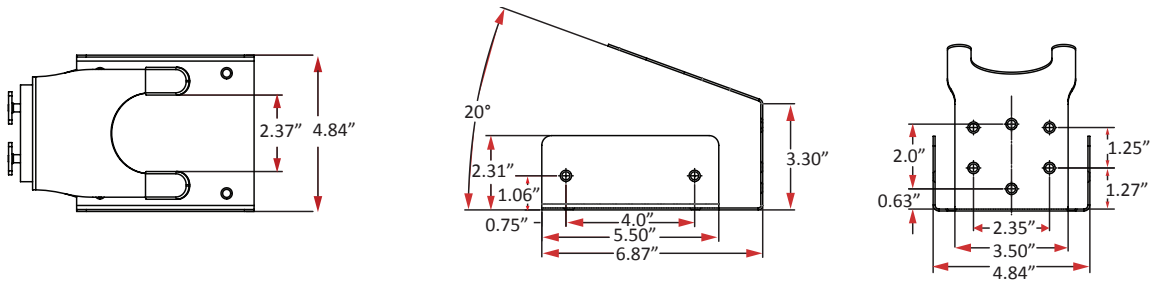
### **BUILT FOR LIFE**

- Anodized aluminum construction ensures maximum durability
- Scanner with point of care access prevents workflow interruption

**APTUS® M Scanner Holder, VESA Mount (MSC Stock #518-2333)**



**APTUS® M Scanner Holder, Channel Mount (MSC Stock #518-2348)**



Model	Description	Shipping Weight	Box Dimensions
518-2333	APTUS® M Scanner Holder, VESA Mount	4 lbs.	5" x 9" x 3"
518-2348	APTUS® M Scanner Holder, Channel Mount	1 lb.	5" x 9" x 3"

**FINISH: SILVER - ANODIZED ALUMINUM**



500 E. Britton Rd. • Oklahoma City, OK 73114  
 Tel: 800.687.0938 • Fax: 405.528.0368  
[www.modularservices.com](http://www.modularservices.com)  
[info@modularservices.com](mailto:info@modularservices.com)