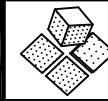


NOTES:

- ① PERIMETER FRAMING: 14 GAUGE STEEL, POWDER COATED SURF OR PLATINUM GREY.
- ② POLYCARBONATE DOOR IMAGE: TO BE DETERMINED. IMAGE TO BE SIZED TO FIT DIMENSIONS OF DOOR.
- ③ ALL EXPOSED FASTENERS ARE TO BE SECURITY FASTENERS (MSC STANDARD).
- ④ (2) KEYED LOCKS; PIN TUMBLER CYLINDER CAM TYPE.



MODULAR 500 EAST BRITTON ROAD
SERVICES COMPANY OKLAHOMA CITY, OK 73114

REVISED

SECURDOOM™
 DECORATIVE SECURITY COVER
 MODEL DSC-100

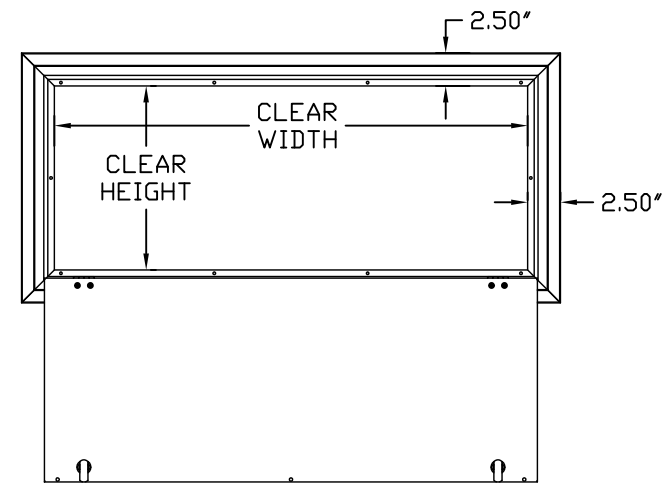
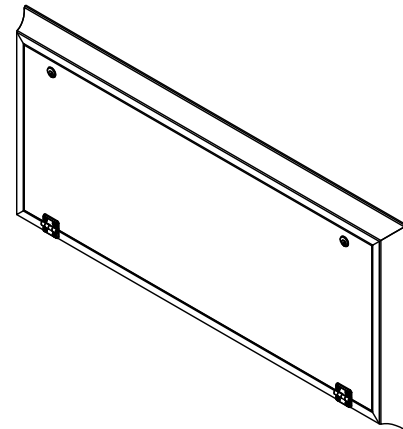
SCALE: =1'

DATE _____ DRAWN BY _____ DRAWING # _____

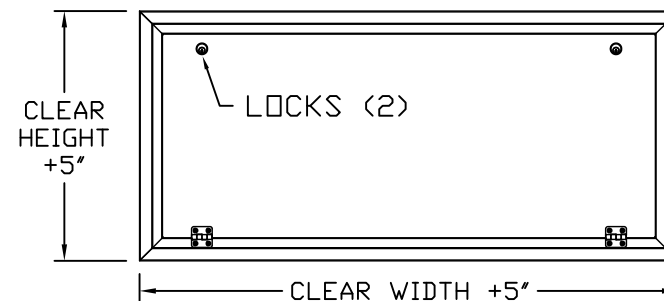
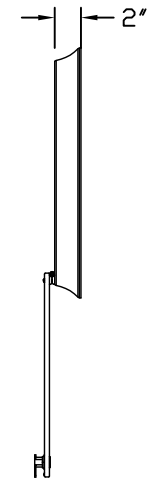
PROJECT _____

__ REQ'D: __ AS SHOWN
 __ OPPOSITE

**SECURITY COVER WILL BE INSTALLED OVER
 EXISTING DEVICES IN BUILDING WALL.**



COVER IN OPEN POSITION



COVER IN CLOSED POSITION

