



GCX MOUNT - SINGLE VERTICAL CHANNEL

Stock #518-2315

1. Fit vertical track adaptors into vertical track (Figure 1).
2. Position the assembly where desired.
3. Using a 3/16" hex key, tighten the two set screws on the vertical track adaptors to 10 ft.lbs. (Figure 1)
4. Remove the stop from the top side of the GCX track (Figure 2).
5. Install accessory into GCX track.
6. Reinstall stop in the top of the GCX track.

Figure 1.

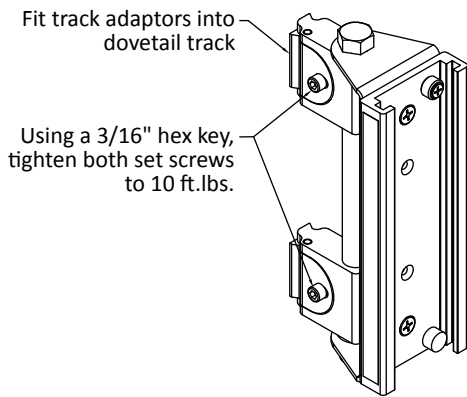
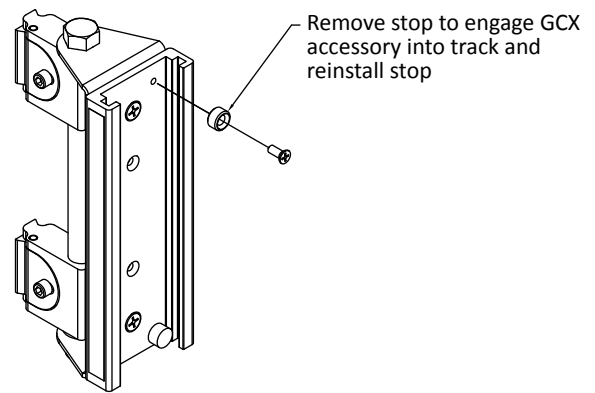


Figure 2.



Distance from wall to Accessory Center of Gravity (ft)	Allowable Load Limit* (lbs)
1	50
2	25
3	16

*Load not to exceed 50 lbs. even if center of gravity is closer than 1 ft.



Maximum Load Rating of 50 lbs./50 ft.lbs. See Specification Sheet for Details.

