

NOTES:

- ① JUNCTION BOXES: J1--NORMAL POWER, J2--EMER. POWER, J3--NURSE CALL/TELEPHONE/MULTI PIN.
- ② GAS PIPING: TYPE L COPPERTUBING. OXYGEN & AIR--1/2" I.D., VAC--3/4" I.D.
- ③ PANEL LAMINATE COLOR: TO BE DETERMINED. ALUMINUM SURFACES HAVE A POWDER COATED FINISH TO MATCH FORMICA #923 'SURF'.
- ④ KYDEX COVER ON BED DOCKER TO MATCH 'SURF' OR 'PLATINUM GREY'.
- ⑤ ENDCAPS ADD A TOTAL OF 3/4" ONTO TOTAL LENGTH.

MODULAR SERVICES COMPANY 500 EAST BRITTON ROAD
OKLAHOMA CITY, OK. 73114

REVISED

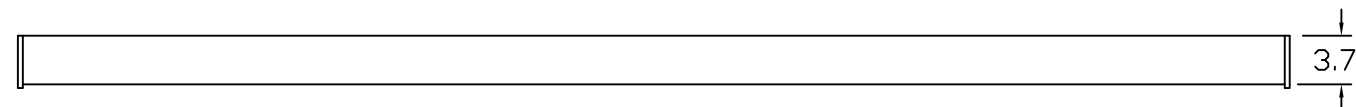
PROVIDER PLUS®
SINGLE TIER W/DOCKER
MODEL 6500A

PROJECT

SCALE:  =1'

DATE _____ DRAWN BY _____ DRAWING #
PB-144

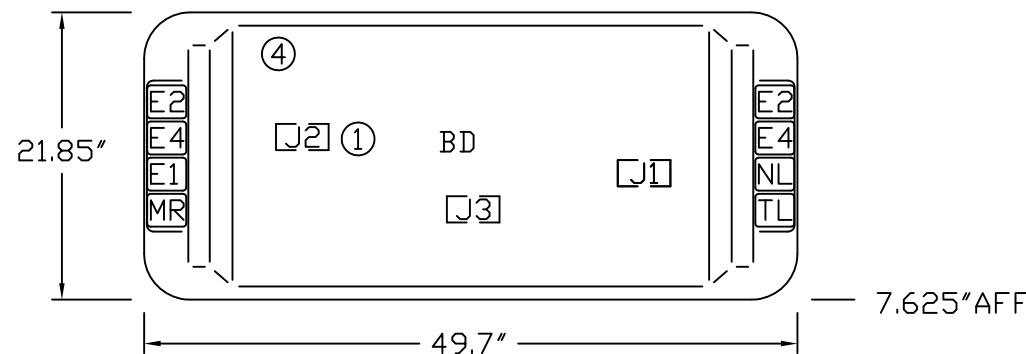
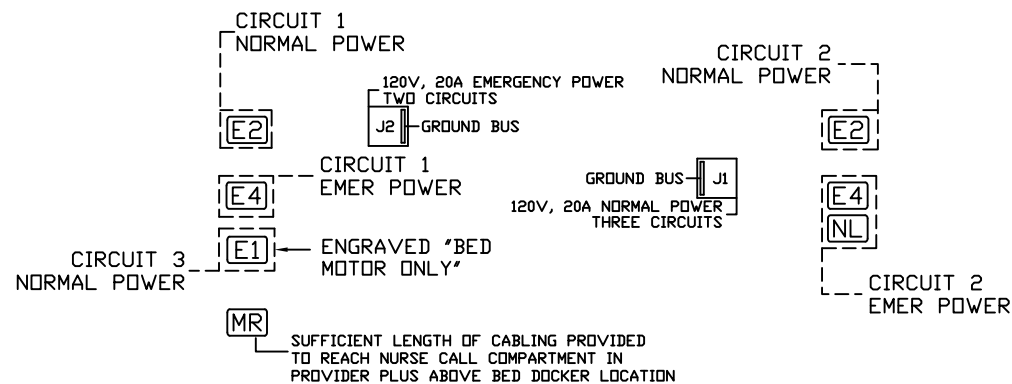
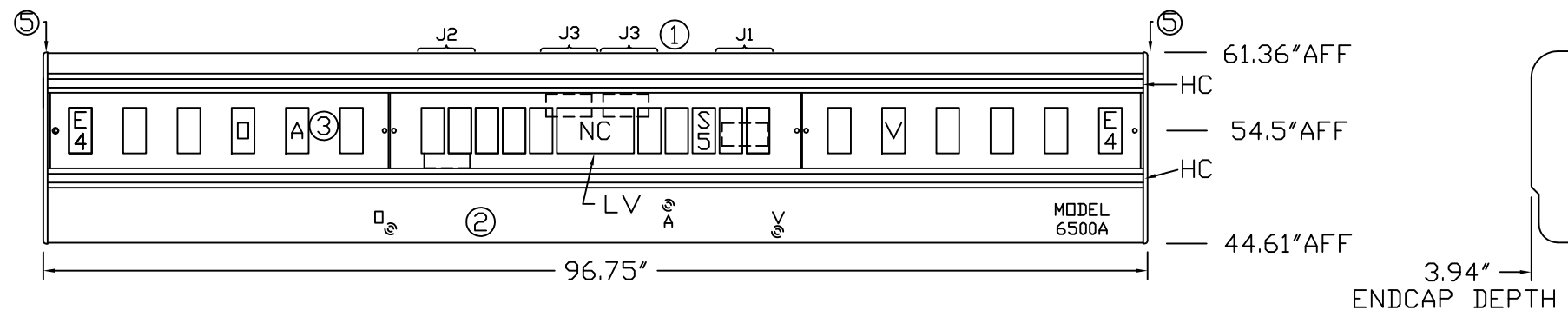
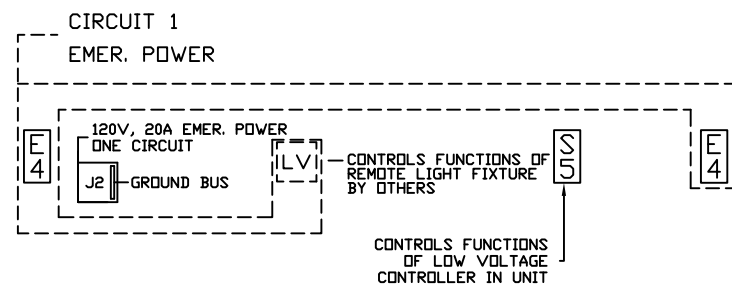
LOW ACUITY
__ REQ'D: __AS SHOWN
__OPPOSITE



CEILING LINE

-96" AFF

**ROUGH-IN TEMPLATES ARE INCLUDED WITH THESE UNITS
SEE INSTALLATION INSTRUCTIONS FOR MORE INFORMATION**



WIRING DIAGRAM

FLOOR LINE

GROUND WIRING TO BE #10
GREEN STRANDED COPPER

*AFF (ABOVE FINISHED FLOOR)

